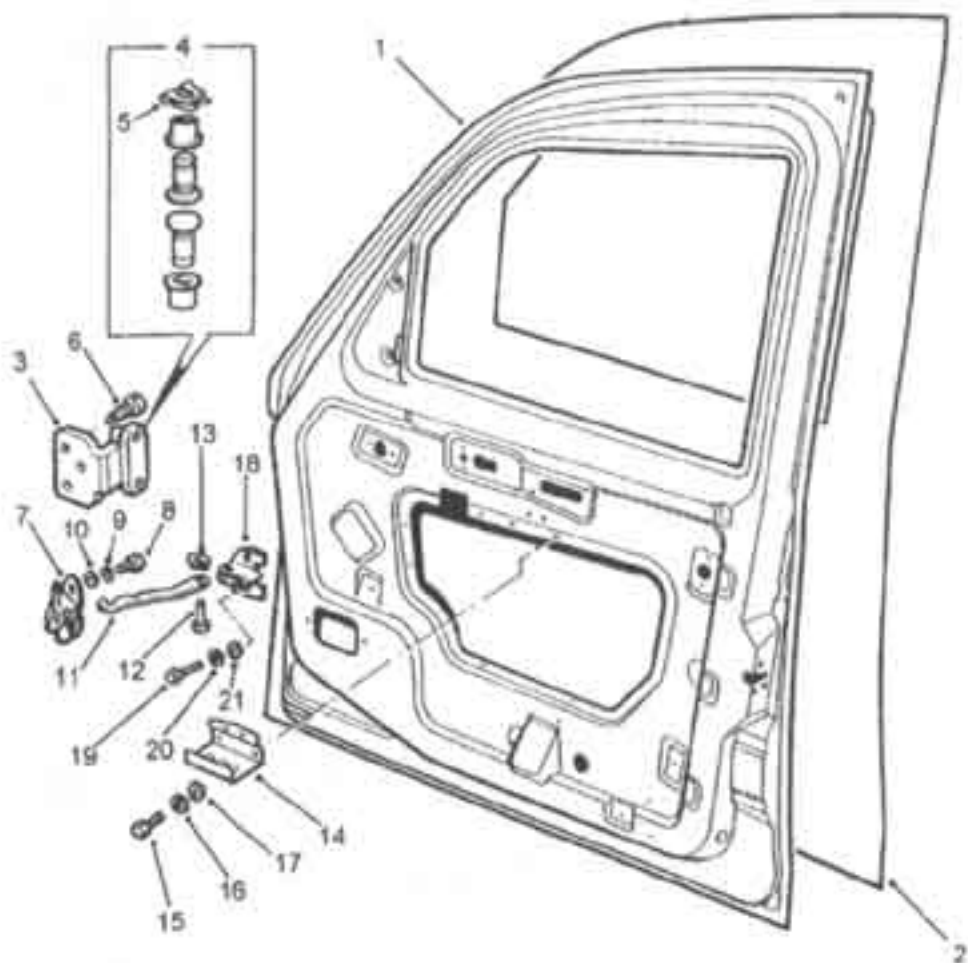


London Taxis International Taxi TX1 Range

O03

Fiche 1

Chassis & Bodyshell
Doors
Front Doors 1



Illus	Part Number	Description	Quantity	Change Point	Remarks
1	900025	DOOR ASSEMBLY-FRONT-LH-RHD	NLA		Use 900676.
1	900026	DOOR ASSEMBLY-FRONT-RH-RHD	NLA		Use 900677.
1	900676	DOOR ASSEMBLY-FRONT-LH-RHD	1		
1	900677	DOOR ASSEMBLY-FRONT-RH-RHD	1		
1	900678	DOOR ASSEMBLY-FRONT-LH-LHD	1		
1	900679	DOOR ASSEMBLY-FRONT-RH-LHD	1		
2	900027	• Panel-front door facing-LH	1		Part of 900025, 900676, 900678.
2	900028	• Panel-front door facing-RH	1		Part of 900026, 900677, 900679.
3	608045	Hinge assembly-front door-LH	NLA		Use 609034 qty 1 Replace old hinge with new hinge and new setscrews with 609045 qty 4.
3	609034	Hinge assembly-front door-LH	1		
3	608046	Hinge assembly-front door-RH	NLA		Use 609035 qty 1 When replacing old hinge with new condition hinge you must use new setscrews with 609045 qty 4.
3	609035	Hinge assembly-front door-RH	1		
4	900181	KIT-HINGE PINS & BUSHES	2		
5	607259	• Clip-spring steel	1		
6	609045	Setscrew-M10 x 30	20		To (V) WC. 103579
6	610029	Setscrew-M10 x 30	20		From (V) WC 103580
7	600529	Bracket assembly-rear door checker	2		
8	S616HEXDC	Setscrew-M6 x 16-Dacromet	4		
9	WS6HDC	Washer-spring-M6-Dacromet	4		
10	8218DC	Washer-plain-M6 x 20-Dacromet	4		
11	606671	Check strap arm-front	2		
11	609516	Seal	2		
12	608889	Pin-door check arm-front door	2		
13	608179	Clip-spring steel-8mm	2		

London Taxis International Taxi TX1 Range

O04

Fiche 1

Chassis & Bodyshell
Doors
Front Doors 1

Illus Part Number

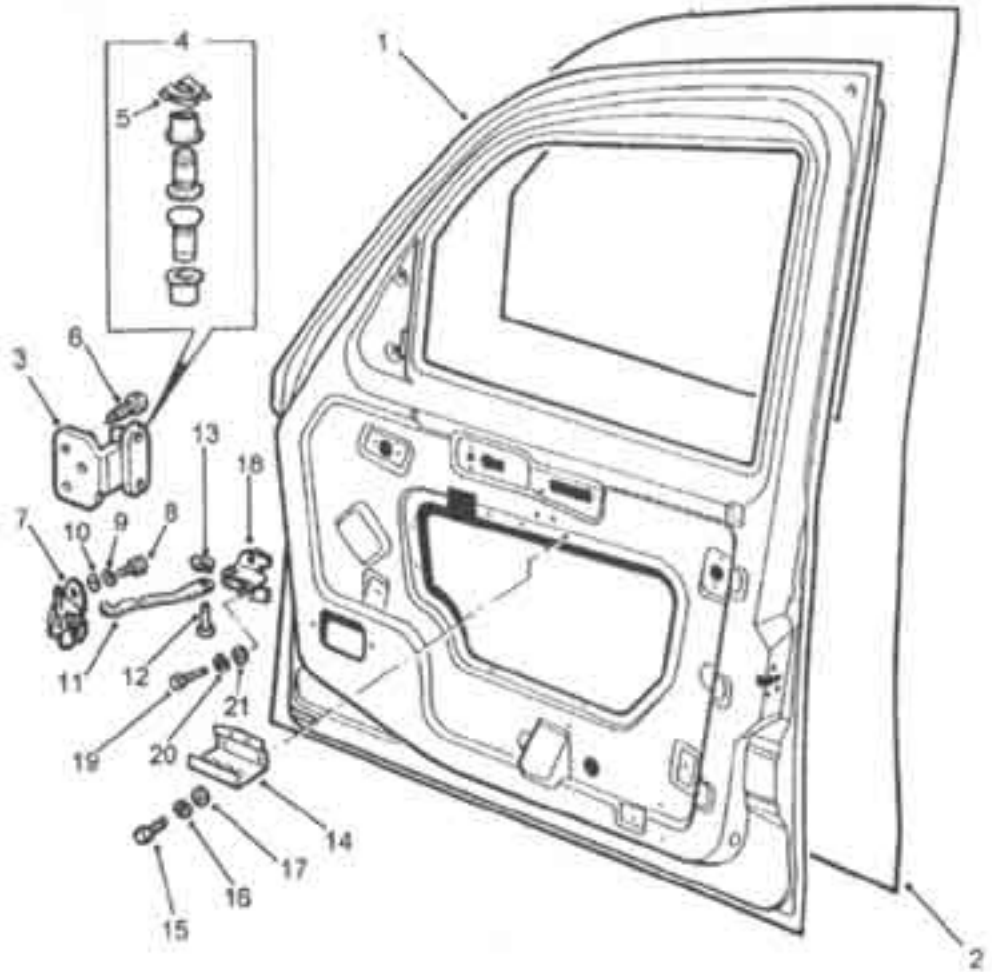
Description

Quantity

Change Point

Remarks

14	900291	Bracket assembly-front door pull-passenger	1		
14	900290	Bracket assembly-front door pull-driver	1		
15	S616HEX	Setscrew-finger-pull-M6 x 16	8		
16	WS6H	Washer-spring-M6	8		
17	WPN6L	Washer-plain-M6	8		
18	608575	Bracket-pivot check arm	2		
19	S616HEXDC	Setscrew-bracket to door-M6 x 16-Dacromet	4		
20	WS6HDC	Washer-spring-M6-Dacromet	4		
21	WPL6HDC	Washer-plain-M6-Dacromet	4		

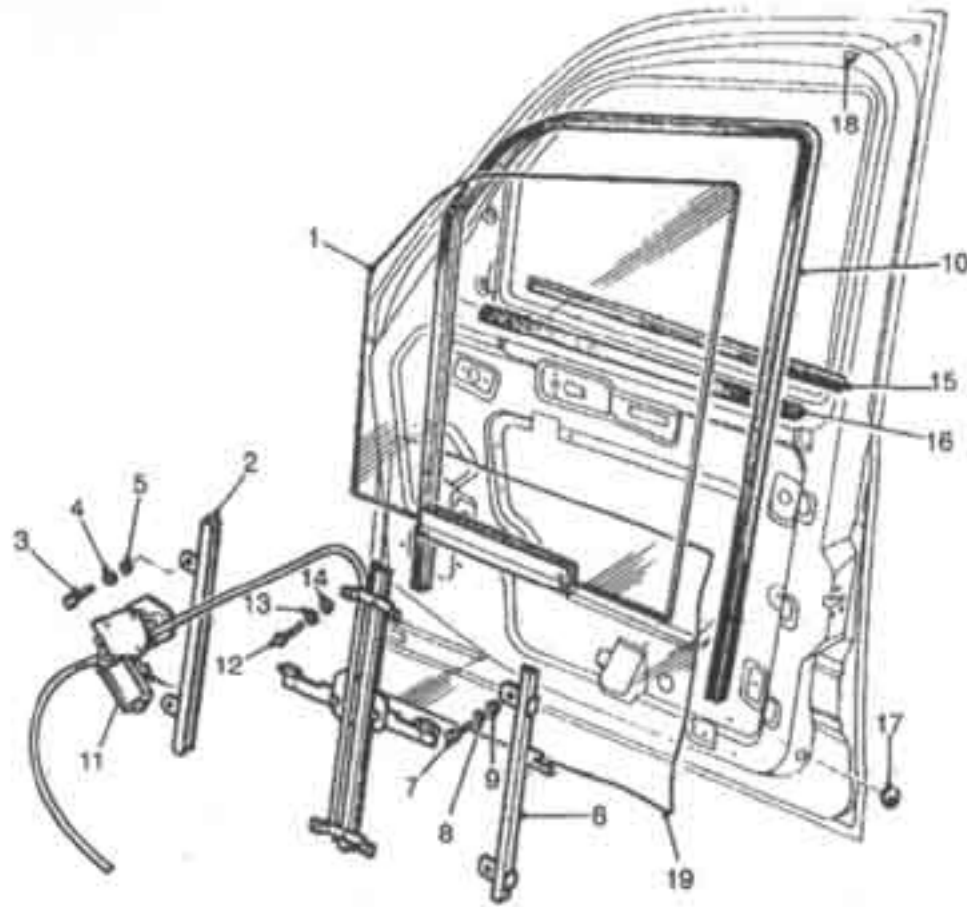


London Taxis International Taxi TX1 Range

O05
Fiche 1

Chassis & Bodyshell
Doors
Front Doors 2

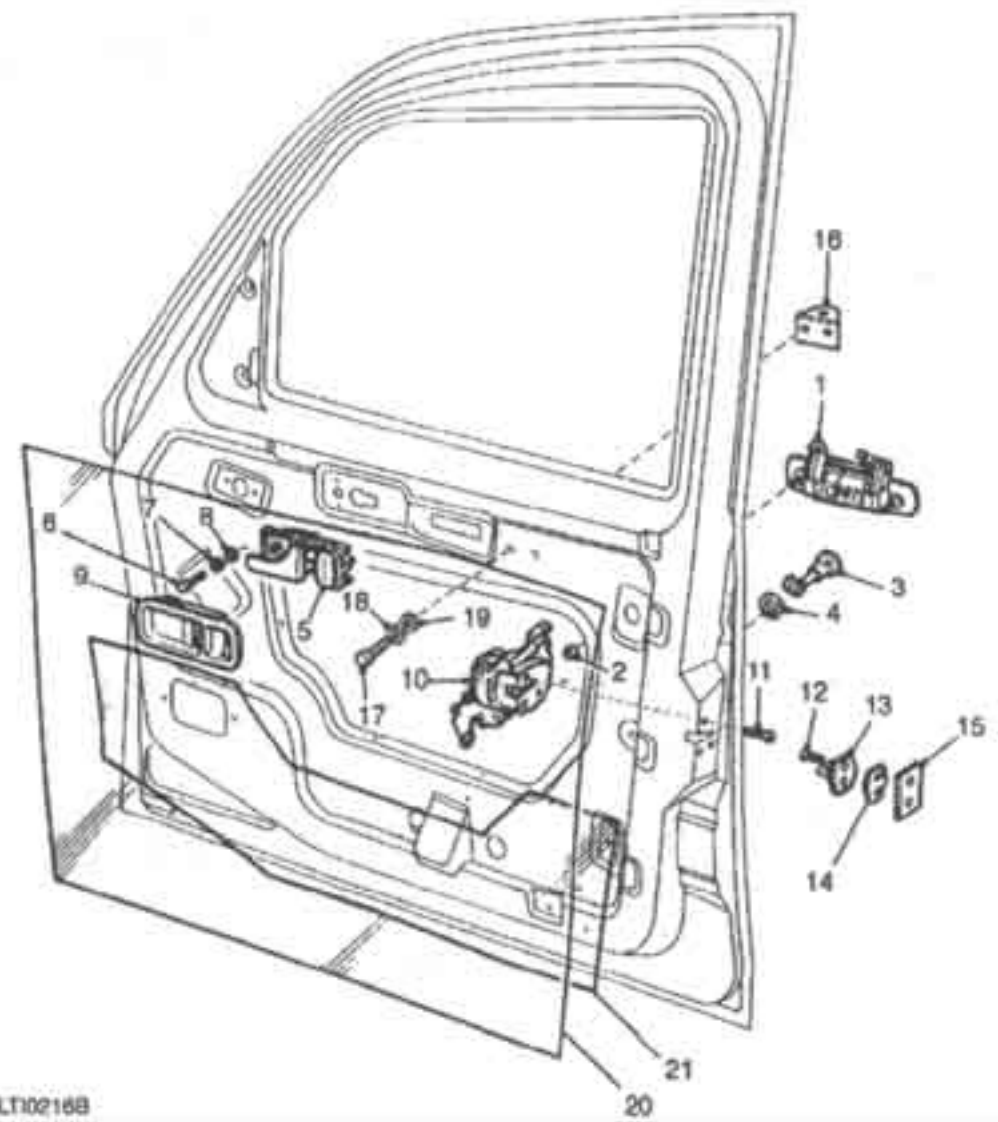
Illus	Part Number	Description	Quantity	Change Point	Remarks
GLASS ASSEMBLY-FRONT DOOR CLEAR					
1	608686	LH.....	1	To (V) WC 100932	
1	608687	RH.....	1		
1	900421	LH.....	1	From (V) WC 100933	
1	900422	RH.....	1		
2	606079	Channel assembly-front glass guide-lower.....	2		
3	S616HEX	Setscrew-M6 x 16.....	4		
4	WS6H	Washer-spring-M6.....	4		
5	8218	Washer-plain-M6.....	4		
6	608035	Channel assembly-front door rear glass guide-lower-LH.....	1		
6	608036	Channel assembly-front door rear glass guide-lower-RH.....	1		
7	S616HEX	Setscrew-M6 x 16.....	2		
8	WS6H	Washer-spring-M6.....	2		
9	8218	Washer-plain-M6.....	2		
10	606991	Seal-front door glass run channel-LH.....	NLA		Use 610148 Improved seal.
10	610148	Seal-front door glass run channel-LH.....	1		
10	606992	Seal-front door glass run channel-RH.....	NLA		Use 610149 Improved seal.
10	610149	Seal-front door glass run channel-RH.....	1		
REGULATOR ASSEMBLY-FRONT DOOR ELECTRIC GLASS					
11	606653	LH.....	1	To (V) WC 100932	Use 609340 qty 1 Improved window operation with 900422 qty 1.
11	606654	RH.....	NLA		
11	609339	LH.....	1	From (V) WC 100933	
11	609340	RH.....	1		
12	S616HEX	Setscrew-M6 x 16.....	3		
13	WS6H	Washer-spring-M6.....	3		
14	WPL6H	Washer-plain-M6.....	5		
15	607038	Finisher-front door waistrail-outer.....	2		
16	607081	Finisher-front door waistrail-inner.....	2		
17	9553	Grommet-blind-wax injection holes-25mm.....	2		
18	9616	Grommet-blind-15mm.....	2		
19	608579	Shedder-front door water.....	2		



London Taxis International Taxi TX1 Range

O06
Fiche 1

Chassis & Bodyshell
Doors
Front Doors 3

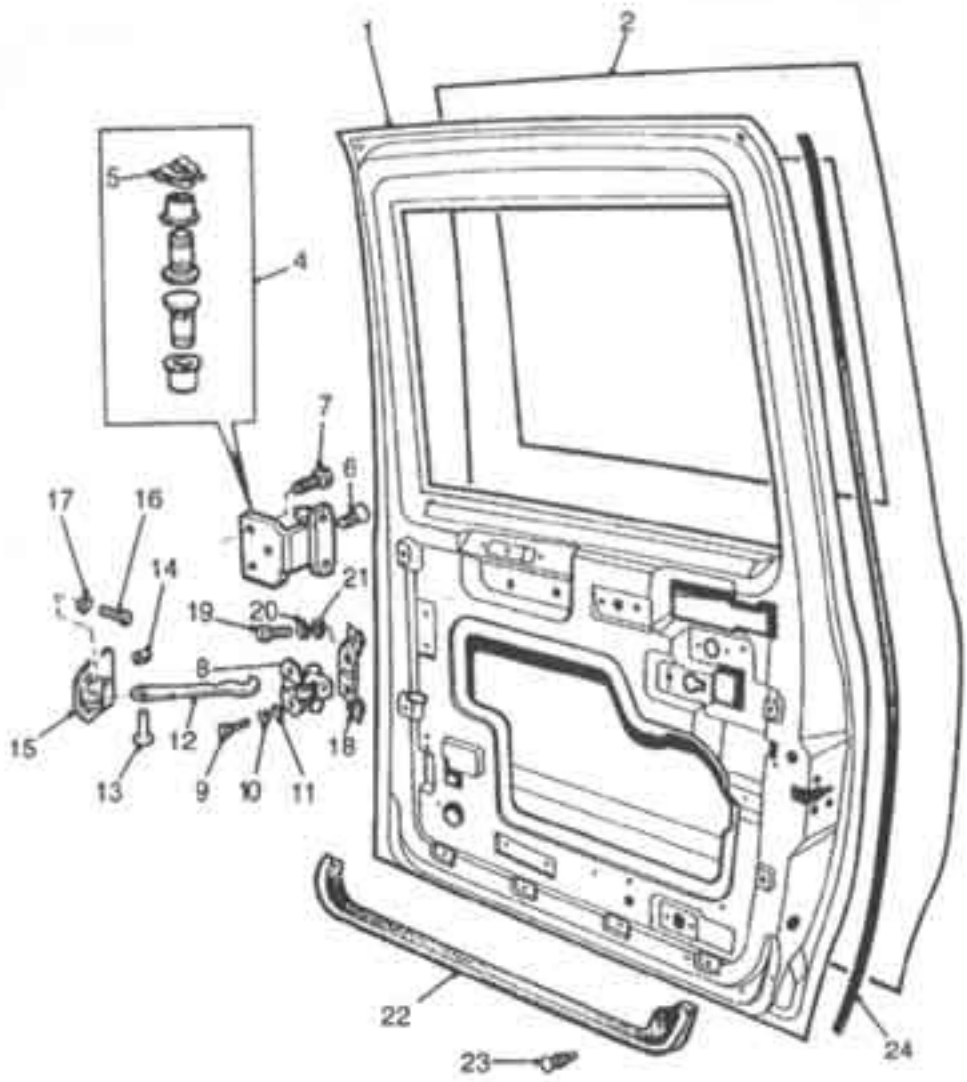


illus	Part Number	Description	Quantity	Change Point	Remarks
1	607873	Handle assembly-door-exterior.-LH	1		
1	607874	Handle assembly-door-exterior.-RH	1		
2	607944	Nut	4		
3	606647	LOCK ASSEMBLY-DOOR-LH	1		
3	606648	LOCK ASSEMBLY-DOOR-RH	1		
4	606649	* Ring-retainer	1		
5	606575	Handle assembly-door-inner-LH	1		
5	606576	Handle assembly-door-inner-RH	1		
6	S612HEX	Setscrew-interior handle-M6 x 12	2		
7	WPN6L	Washer-plain-M6	2		
8	WS6H	Washer-spring-M6	2		
9	606577	Escutcheon-door release	2		
10	607851	Latch assembly-front door-LH	NLA		Use 609341 Lower CDL mounting ears are cropped off to prevent foul condition with CDL motor.
10	609341	Latch assembly-front door-LH	1		
10	607852	Latch assembly-front door-RH	NLA		Use 609342 Lower CDL mounting ears are cropped off to prevent foul condition with CDL motor.
10	609342	Latch assembly-front door-RH	1		
11	607946	Screw-front door latch	6		
12	S816CSKTRXDC	Setscrew-M8 x 16-counter sunk-torx drive-dacromat	4		
13	606528	Striker-door lock	2		
14	608941	Shim-striker	4		
15	608384	Plate-tapping-striker	1		
16	608923	Bracket-support interior release	1		
17	S616HEX	Setscrew-support bracket to door-M6 x 16	4		
18	WS6H	Washer-spring-M6	4		
19	WPN6L	Washer-plain-M6	4		
20	607835	Shedder-front door water	2		
21	608954	Watershield	2		

London Taxis International Taxi TX1 Range

O08
Fiche 1

Chassis & Bodyshell Doors Rear Doors 1



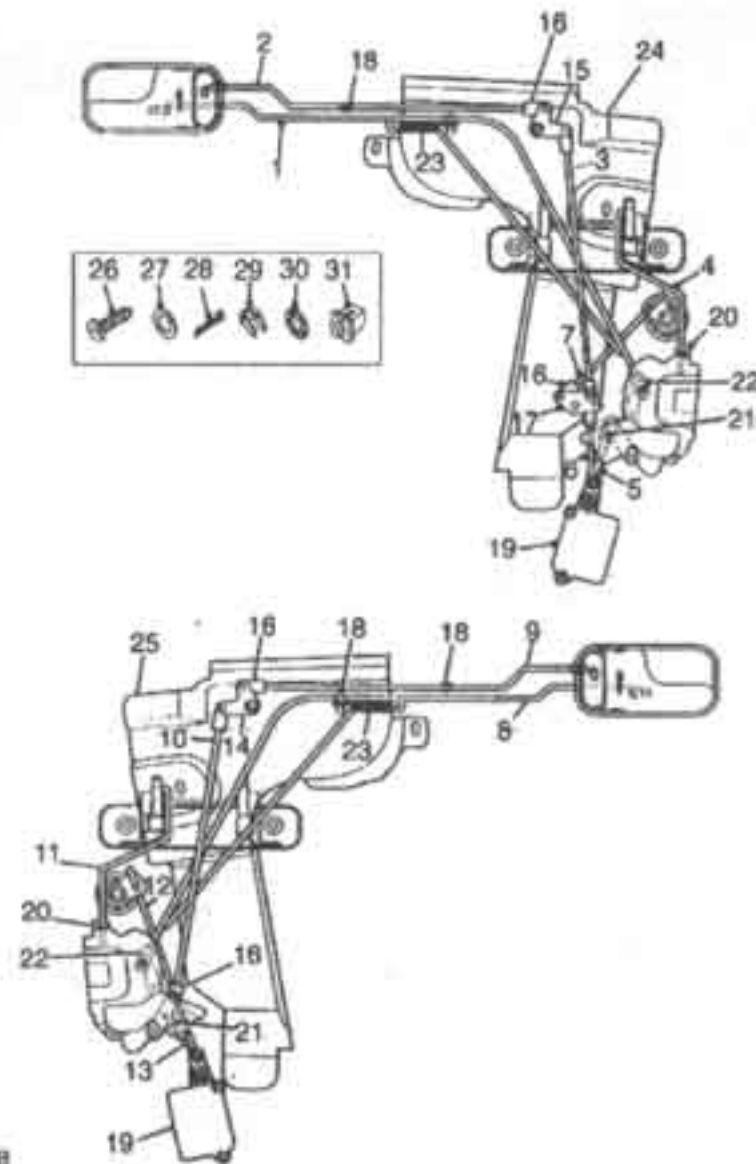
Illus	Part Number	Description	Quantity	Change Point	Remarks
1	900030	DOOR ASSEMBLY-REAR-RH.....	NLA	Use 900776.
1	900029	DOOR ASSEMBLY-REAR-LH.....	NLA	Use 900777.
1	900776	DOOR ASSEMBLY-REAR-RH.....	1	
1	900777	DOOR ASSEMBLY-REAR-LH.....	1	
2	900032	• Panel-rear door facing-RH.....	1	Part of 900030, 900776.
2	900031	• Panel-rear door facing-LH.....	1	Part of 900029, 900777.
3	606087	Hinge assembly-rear door-LH.....	NLA	Use 609036 qty 1 when replacing lower hinge, new setscrew hinge to body 609045 x 2 must be used. Only one of the old style setscrews is retained. or 609038 qty 1 when replacing upper hinge, new setscrew hinge to body 609045 x 2 must be used. Only one of the old style setscrews is retained..
3	609036	Hinge assembly-rear door-lower-LH.....		
3	609038	Hinge assembly-rear door-upper-LH.....		
3	606088	Hinge assembly-rear door-RH.....	NLA	Use 609037 qty 1 when replacing lower hinge, new setscrew hinge to body 609045 x 2 must be used. Only one of the old style setscrews is retained. or 609039 qty 1 when replacing upper hinge, new setscrew hinge to body 609045 x 2 must be used. Only one of the old style setscrews is retained..
3	609037	Hinge assembly-rear door-lower-RH.....		
3	609039	Hinge assembly-rear door-upper-RH.....		
4	900181	KIT-HINGE PINS & BUSHES.....	2	
5	607259	• Clip-spring steel.....	1	
6	608846	Setscrew-To hinge door-M10 x 25.....	2	
7	609045	Setscrew-M10 x 30.....	20	
7	610029	Setscrew-M10 x 30.....	20	

To (V) WC 103579
From (V) WC 103580

London Taxis International Taxi TX1 Range

O07
Fiche 1

Chassis & Bodyshell
Doors
Front Doors 4



illus	Part Number	Description	Quantity	Change Point	Remarks
ROD - OPERATING					
1	608323	interior release to latch-RH.....	1		
2	607726	handle to bell crank-RH.....	1		
3	608966	cdl bell crank to latch-RH.....	1		
4	608960	exterior release-RH.....	1		
5	608964	solenoid to latch-RH.....	1		
6	608968	solenoid to bell crank-RH.....	1		
7	608965	bell crank to lock barrel-RH.....	1		
ROD - OPERATING					
8	608322	interior release to latch-LH.....	1		
9	607725	handle to bell crank-LH.....	1		
10	607724	cdl bell crank to latch-LH.....	1		
11	608959	exterior release-LH.....	1		
12	607188	door lock barrel to solenoid-LH.....	1		
13	607187	solenoid to latch-LH.....	1		
14	607727	CRANK-DOOR BELL-FRONT-LH.....	1		
16	608192	• Clip-linkage.....	2		
14	609957	CRANK-DOOR BELL-FRONT-LH.....	1		
16	608192	• Clip-linkage.....	2		
15	607728	CRANK-DOOR BELL-FRONT-RH.....	1		
16	608192	• Clip-linkage.....	2		
17	608967	CRANK-DOOR BELL-RH.....	1		
16	608192	• Clip-linkage.....	3		
18	8158	Clip-rods to door and support bracket.....	NLA		Use 610802.
18	610802	Clip-rods to door and support bracket.....	4		
19	607849	Actuator-central door locking-front & rear.....	1		
19	607848	Actuator-central door locking-driver's door.....	1		
20	900102	Bush-knob rod-door latch.....	2		
21	900103	Holder-solenoid-rod to door latch.....	2		
22	900104	Holder-release rod to door latch.....	2		
23	608888	Spring-return-front door.....	1		
24	609751	Shield-lock-front-LH.....	1		
25	609752	Shield-lock-front-RH.....	1		
FIXINGS-DOOR LOCKS					
26	9586	Screw-actuator to door-No 6 x 3/4.....	4		
27	609991	Washer-plastic-6mm.....	4		
28	9602	Clip-rod to solenoid.....	2		
29	607832	Circlip-bell crank-6.0mm.....	3		
30	610286	Washer-starlock-lock rod to solenoid-4mm/ID.....	2		

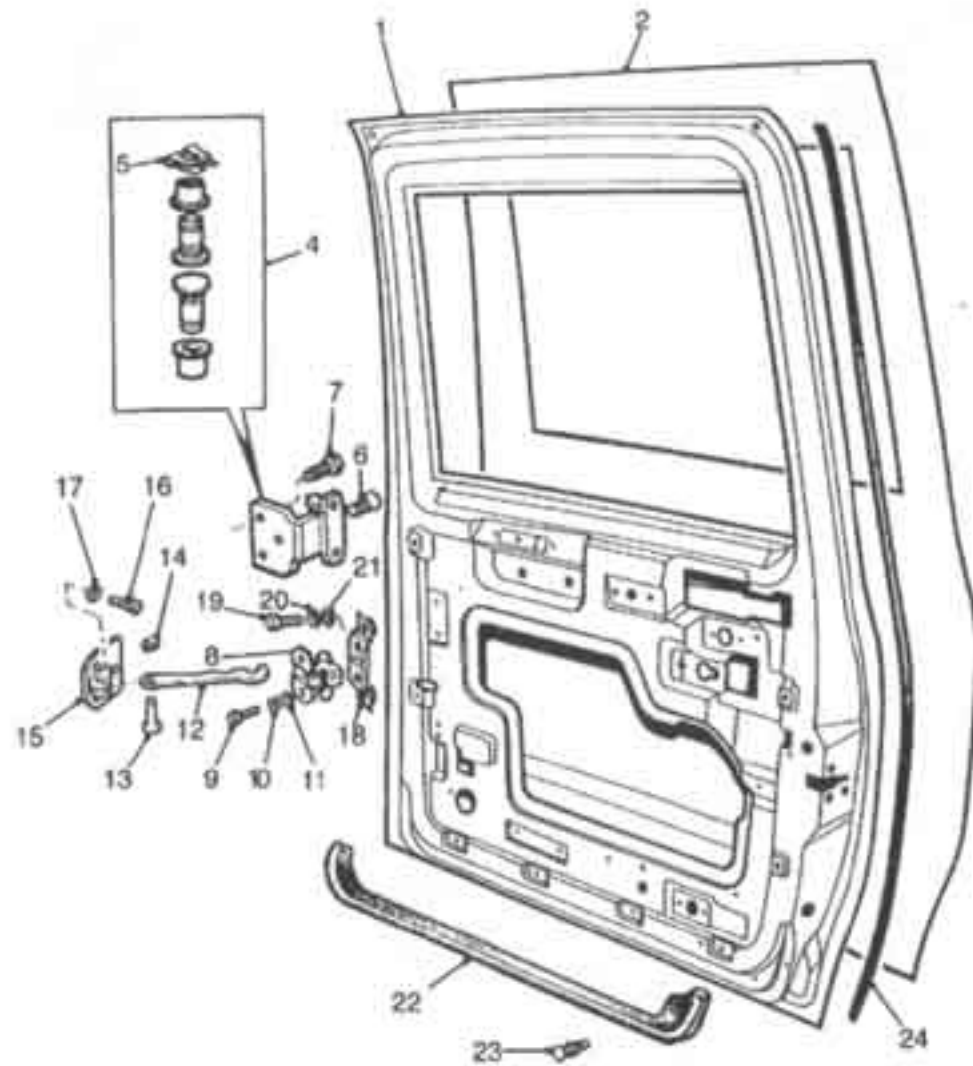
From (V) WC 102767

London Taxis International Taxi TX1 Range

O09

Fiche 1

Chassis & Bodyshell
Doors
Rear Doors 1

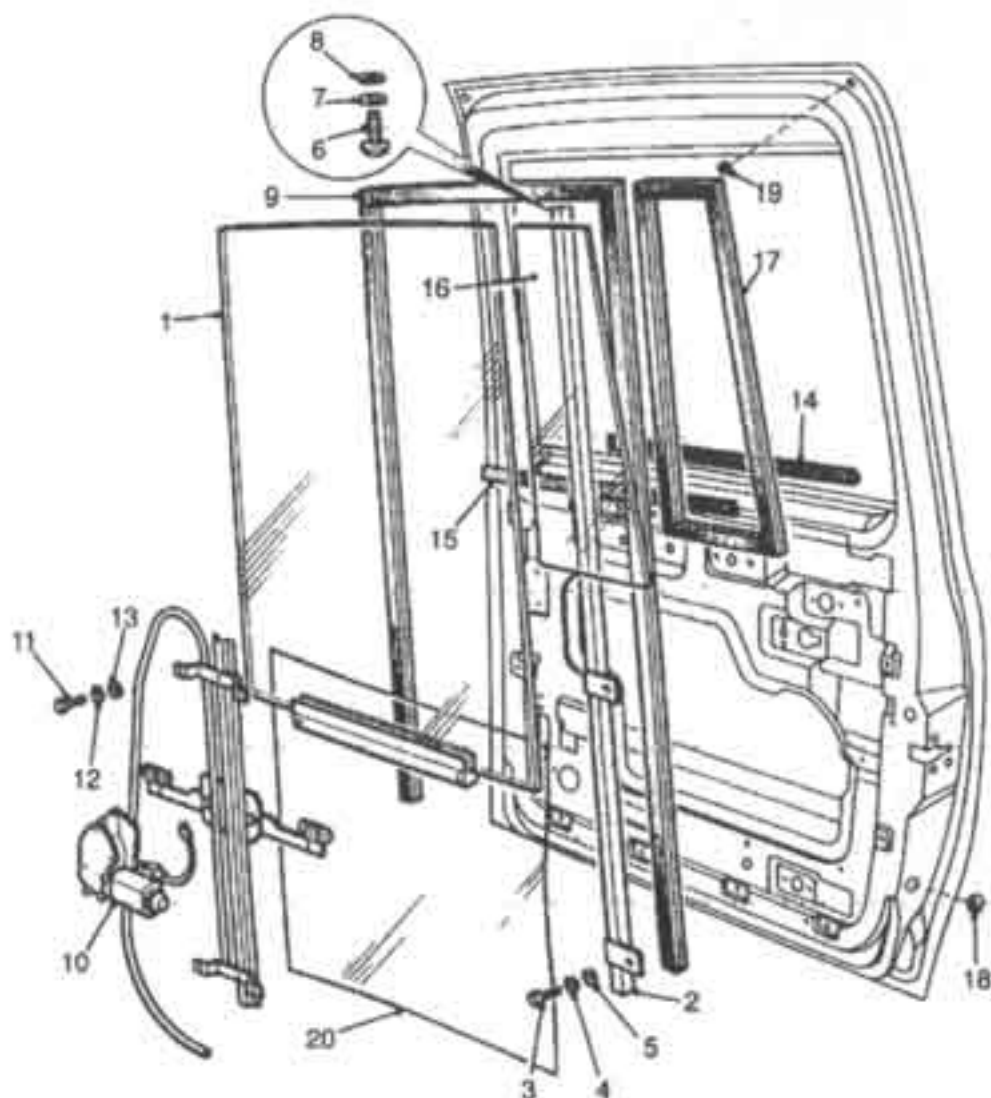


Illus	Part Number	Description	Quantity	Change Point	Remarks
8	600529	Bracket assembly-rear door checker	2		
9	S616HEXDC	Setscrew-M6 x 16-Dacromet	4		
10	WS6HDC	Washer-spring-M6-Dacromet	4		
11	8218DC	Washer-plain-M6 x 20-Dacromet.....	4		
12	609499	Check strap arm-rear door.....	2		
12	610145	Check strap arm-rear door.....	NLA	To (V) XC 104839	
12	610343	Checker assembly-rear door-rear door.....	2	From (V) XC 104640	Use 610343.
13	608890	Pin-door check arm-rear door.....	2	From (V) XC 104640	
14	608179	Clip-spring steel-8mm.....	2		
15	608563	Bracket-pivot check arm	2		
16	S620HEXDC	Setscrew-M6 x 20.....	6		
17	WS6HDC	Washer-spring-M6-Dacromet	6		
18	609291	Castling reinforcement-check body-check strap mounting-LH.....	2		
18	609292	Castling reinforcement-check body-check strap mounting-RH.....	2		
19	S616HEXDC	Setscrew-M6 x 16-Dacromet	4		
20	WS6HDC	Washer-spring-M6-Dacromet	4		
21	WPL6HDC	Washer-plain-M6-Dacromet.....	4		
22	608217	Seal-door mounted primary-LH-rear.....	1		
22	608218	Seal-door mounted primary-RH-rear.....	1		
23	900401	Stud-plastic.....	2		
24	606996	Seal-secondary_rear door.....	2	To (V) XC 106872	

London Taxis International Taxi TX1 Range

O10
Fiche 1

Chassis & Bodyshell
Doors
Rear Doors 2



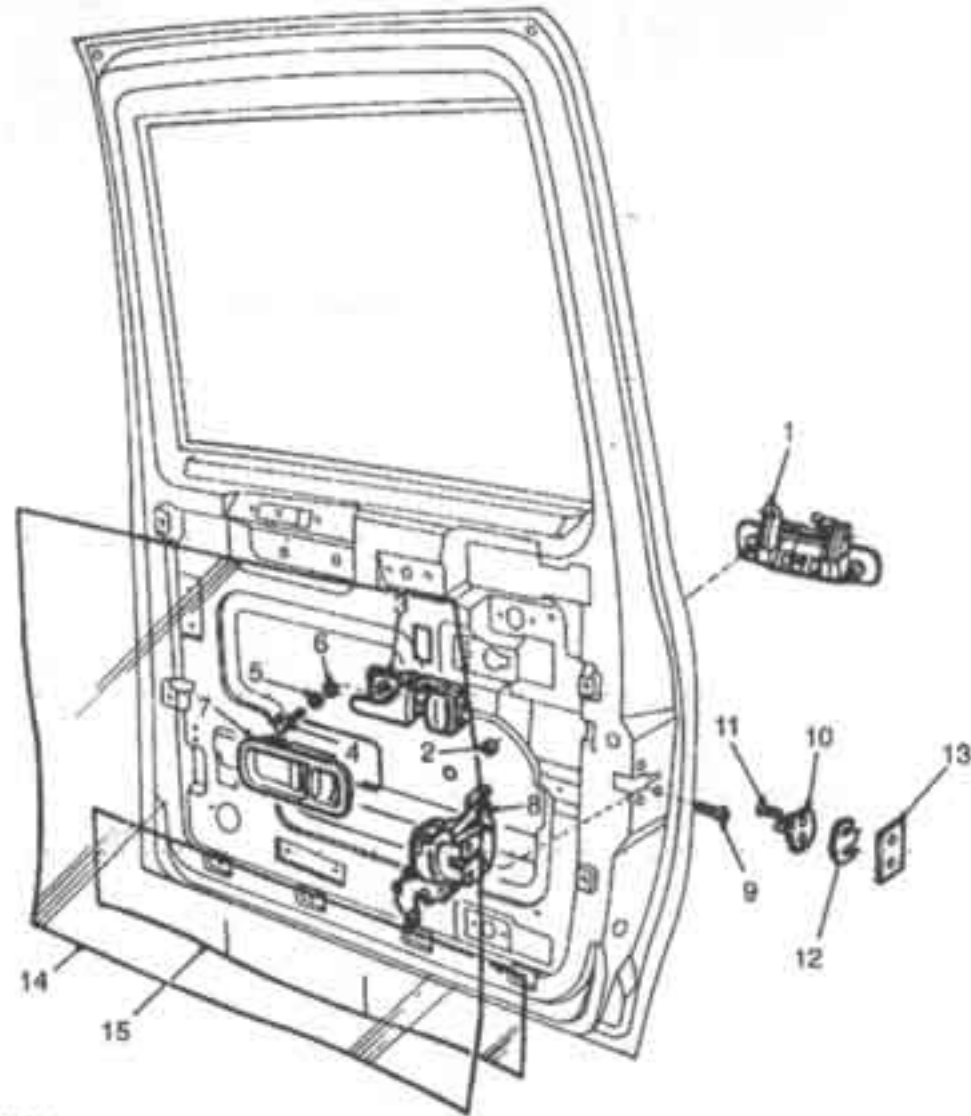
Illus	Part Number	Description	Quantity	Change Point	Remarks
1	900419	Glass assembly-rear door clear-LH.....	1		
1	900420	Glass assembly-rear door clear-RH.....	1		
2	606111	Channel-rear door glass division-LH.....	1		
2	606112	Channel-rear door glass division-RH.....	1		
3	S616HEX	Setscrew-M6 x 16.....	4		
4	WS6H	Washer-spring-M6.....	4		
5	8218	Washer-plain-M6.....	4		
6	S516PAN	Setscrew-M5 x 16.....	2		
7	WS5H	Washer-spring-M5.....	2		
8	WPN5L	Washer-plain-M5.....	2		
9	608219	Seal-rear door glass-LH.....	NLA		Use 610311 Improved seal.
9	610311	Seal-rear door glass-LH.....	1		
9	608220	Seal-rear door glass-RH.....	NLA		Use 610312 Improved seal.
9	610312	Seal-rear door glass-RH.....	1		
10	606655	Regulator assembly-rear door electric glass-LH.....	1		
10	606656	Regulator assembly-rear door electric glass-RH.....	1		
11	S616HEX	Setscrew-M6 x 16.....	4		
12	WS6H	Washer-spring-M6.....	4		
13	WPL6H	Washer-plain-M6.....	6		
14	607039	Finisher-rear door waist seal-outer.....	2		
15	607071	Finisher-rear door waist rail-inner.....	2		
16	608351	Glass-rear quarter-LH.....	1		
16	608352	Glass-rear quarter-RH.....	1		
17	607763	Seal-rear quarter glass-LH.....	1		
17	607764	Seal-rear quarter glass-RH.....	1		
18	9553	Grommet-blind-wax injection holes-25mm.....	2		
19	9616	Grommet-blind-15mm.....	4		
20	608578	Shedder-rear door water.....	2		

London Taxis International Taxi TX1 Range

O11
Fiche 1

Chassis & Bodyshell
Doors
Rear Doors 3

Illus	Part Number	Description	Quantity	Change Point	Remarks
1	607873	Handle assembly-door-exterior.-LH	1		
1	607874	Handle assembly-door-exterior.-RH	1		
2	607944	Nut	4		
3	606575	Handle assembly-door-inner-LH	1		
3	606576	Handle assembly-door-inner-RH	1		
4	S612HEX	Setscrew-M6 x 12	2		
5	WS6H	Washer-spring-M6	2		
6	WPN6L	Washer-plain-M6	2		
7	606577	Escutcheon-door release	2		
8	608529	Latch assembly-rear door-LH	1		
8	606530	Latch assembly-rear door-RH	1		
9	607946	Screw-rear door latch	6		
10	606528	Striker-door lock	2		
11	S816CSKDC	Screw-M8 x 16-Dacromet	4		
13	606364	Plate-tapping-striker	1		
14	608089	Shedder-rear door water	2		
15	608996	Shedder-rear door water-lower	2		



London Taxis International Taxi TX1 Range

O12
Fiche 1

Chassis & Bodyshell
Doors
Rear Doors 4

Illus Part Number

Description

Quantity

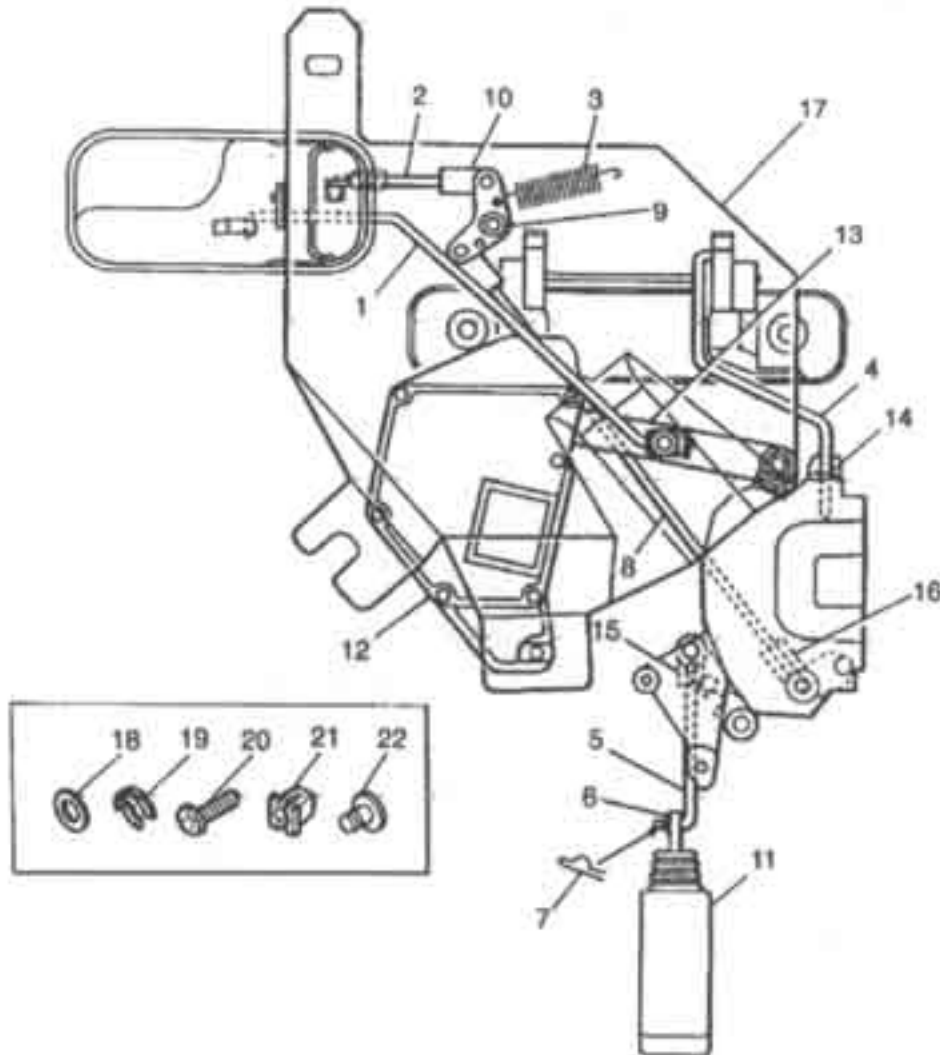
Change Point

Remarks

ROD -OPERATING

1	900427	release to motion lock control arm-LH.....	1		
1	900607	release to motion lock control arm-LH.....	1		
1	900426	release to motion lock control arm-RH.....	1		
1	900606	release to motion lock control arm-RH.....	1		
18	609991	Washer-plastic-release rod to lever-6mm.....	1		
19	607832	Circlip-bell crank-pivot pin-6.0mm.....	1		
2	607759	Rod -operating-handle to bell crank-LH.....	1		
2	607760	Rod -operating-handle to bell crank-RH.....	1		
3	607761	Spring-coil-cdi override.....	1		
4	608961	Link-rear door exterior release handle/latch-LH.....	1		
4	608962	Link-rear door exterior release handle/latch-RH.....	1		
5	607931	Rod -operating-cdi soleniod to latch-LH.....	1		
5	607932	Rod -operating-cdi soleniod to latch-RH.....	1		
6	WPN4H	Washer-plain-rod to solenoid-M4.....	2		
7	9602	Clip-rod to solenoid.....	1		
8	607758	Link-rear door crank/latch.....	2		
9	607853	CRANK-DOOR BELL-REAR.....	2		
10	608192	• Clip-linkage.....	2		
11	607849	Actuator-central door locking-front & rear.....	2		
12	607164	Lock-motion.....	2		
13	608994	Arm control-motion lock-rear door.....	2		
14	900102	Bush.....	1		
15	900103	Holder-solenoid.....	1		
16	900104	Holder.....	1		
17	609849	Shield-lock-rear-LH.....	1		
17	609848	Shield-lock-rear-RH.....	1		
18	609991	Washer-plastic-bell crank-6mm.....	4		
19	607832	Circlip-bell crank-6.0mm.....	2		
20	608107	Screw-actuator to door-No 6 x 1 1/2.....	4		
21	608037	Nut-lokut-No 6.....	4		
22	607856	Pin-clevis/pivot.....	2		
	S520HEX	Setscrew-M5 x 20.....	4		
	WS5H	Washer-spring-M5.....	4		
19	607832	Circlip-bell crank-6.0mm.....	2		

] From (V) WC 102767

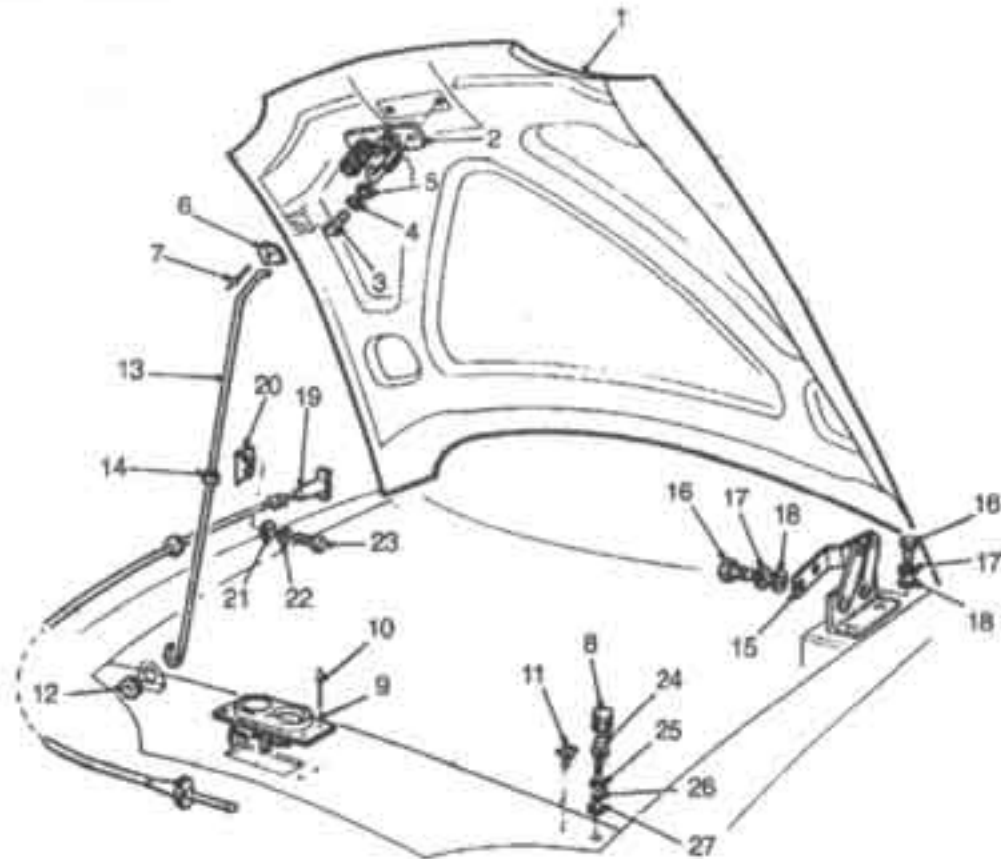


London Taxis International Taxi TX1 Range

O13

Fiche 1

Chassis & Bodyshell
Bonnet and Fittings
Bonnet and Fittings



Illus	Part Number	Description	Quantity	Change Point	Remarks
1	900023	Bonnet assembly	1		
2	607105	Striker-bonnet	1		
3	S616HEXDC	Setscrew-striker-M6 x 16-Dacromet	2		
4	WPL8HDC	Washer-plain-M6-Dacromet.....	2		
5	WS6HDC	Washer-spring-M6-Dacromet	2		
6	607107	Escutcheon-bonnet stay	1		
7	8274	Rivet-pop-aluminium-3.2mm x 12.....	1		
8	AKG2068	Buffer-bonnet	NLA		
8	610038	Buffer-bonnet	2		Use 610038 Change in material only..
9	607095	Latch assembly-bonnet.....	1		
10	8231	Rivet-pop-steel.....	4		
11	607106	Clip-bonnet stay.....	1		
12	607108	Grommet.....	A/R		
13	606360	Stay-bonnet	1		
13	610089	Stay-bonnet	1		
14	608040	Buffer-bonnet stay.....	1		
15	606365	Hinge assembly-bonnet-LH	1		
15	606366	Hinge assembly-bonnet-RH.....	1		
16	S820HEXDC	Setscrew-M8 x 20-Dacromet	8		
17	WS8HDC	Washer-spring-M8-Dacromet	8		
18	WPL8HDC	Washer-plain-M8-Dacromet.....	8		
19	609066	Cable-bonnet release assembly	1		
20	608082	Bracket-cable-bonnet release	1		
21	S512HEX	Setscrew-M5 x 12.....	8		
22	WS5H	Washer-spring-M5	8		
23	WPL5H	Washer-plain-M5	8		
24	608715	Stud	2		
25	N8DC	Nut	2		
26	WS8HDC	Washer-spring-M8-Dacromet	2		
27	WPL8HDC	Washer-plain-M8-Dacromet.....	2		

London Taxis International Taxi TX1 Range

O14

Fiche 1

Chassis & Bodyshell

Boot Lid and Fittings

Boot Lid and Fittings

Illus Part Number

Description

Quantity

Change Point

Remarks

1	900024	TRUNK LID ASSEMBLY	1		
	900088	• Panel-trunk-outer	1		
2	606650	Lock assembly-trunk lid	1		
3	606282	Hinge assembly-trunk lid	2		
4	S825HEX	Setscrew-M8 x 25	4		
5	WS8H	Washer-spring-M8	4		
6	WPL8H	Washer-plain-M8	4		
7	S816CSK	Setscrew	4		
8	607804	Bracket	2		
9	S616HEX	Setscrew-M6 x 16	4		
10	WS6H	Washer-spring-M6	4		
11	WPL6H	Washer-plain-M6	4		
13	608281	Strap assembly-retaining	2		
14	608282	Bolt-shouldered-M6	4		
15	607762	Bracket	1		
16	S825HEX	Setscrew-M8 x 25	3		
17	WS8H	Washer-spring-M8	3		
18	WPL8H	Washer-plain-M8	5		
19	606143	Latch assembly-trunk lid	1		
20	S830CSKTRX	Setscrew-latch fixing-M8 x 30	2		
21	606483	Rod -operating	1		
22	608279	Bush	1		
23	607629	Plinth assembly-licence plate	1		
24	608320	Badge-boot plinth	1		
25	609722	Finisher-boot plinth	1		
26	8095DC	Screw-flanged head-No 10 x 3/4	5		
27	607075	Nut-plastic	5		

