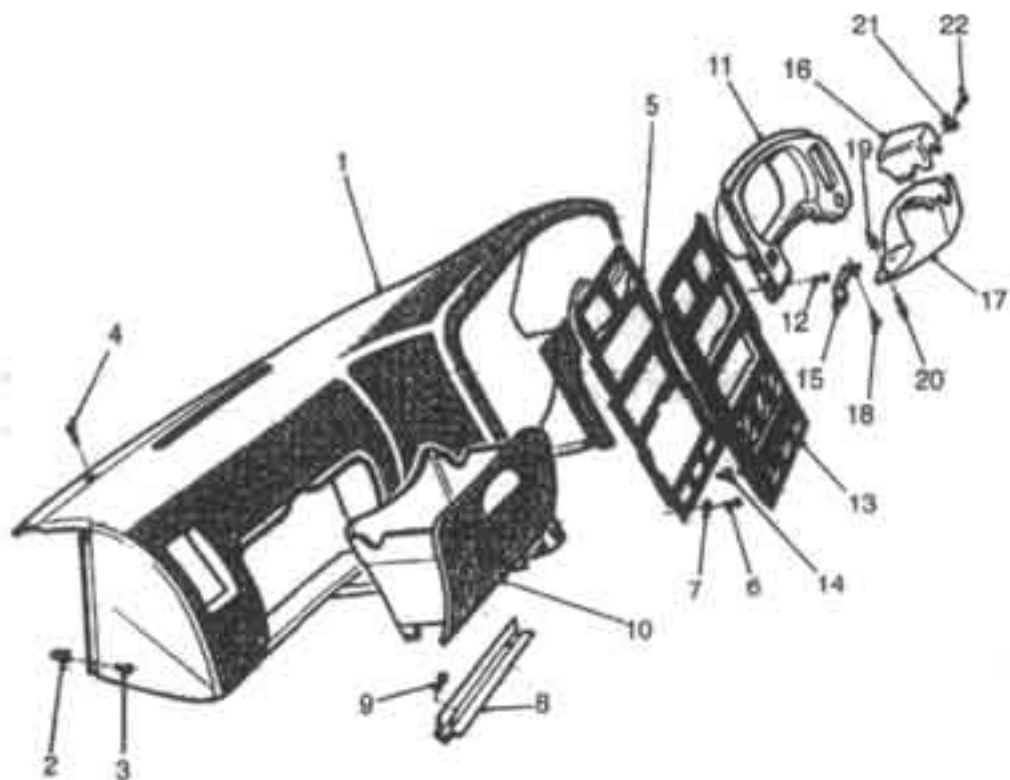


London Taxis International Taxi TX1 Range

C02
Fiche 2

Fascia, Trim & Seats
Facia assembly
Facia Panel

Illus	Part Number	Description	Quantity	Change Point	Remarks
		FACIA ASSEMBLY			
1	608845	c/w glovebox	1	To (V) WC 102766	Use 610057 improved facia strength.
1	609682	c/w glovebox-RHD	NLA		
1	610057	c/w glovebox-RHD	1	From (V) XC 104559 To (V) XC 105568	
1	609117	c/w glovebox-LHD	1	From (V) XC 105569	
2	607075	Nut-plastic-facia to plenum	5		
3	8095SS	Screw-facia to plenum-No 10 x 3/4-stainless steel	2		
4	900658	Screw-facia to plenum-No 10 x 1 1/2-stainless steel	3		
	8091	Screw-LH air vent to facia-No 8 x 1/2	1		
	N6	Nut-facia to heater-M6	2		
	WS6H	Washer-spring-M6	2		
	8218	Washer-plain-M6	2		
5	607076	Plate-switch housing closing	1	To (V) WC 102766	
5	609688	Plate-switch housing closing-RHD	1	From (V) WC 102767	
5	609133	Plate-switch housing closing-LHD	1		
6	S512PANSS	Screw-M5 x 12-stainless steel	7		
7	WS5H	Washer-spring-M5	7		
6	S512PANSS	Screw-switch surround-M5 x 12-stainless steel	2		
8	608865	Rail-glovebox support	1		
9	8091	Screw-bracket fixing-No 8 x 1/2	2		
10	608039	GLOVEBOX ASSEMBLY-FACIA-RHD	1	To (V) XC 105568	
	606947	• Latch-glovebox	1		
10	610457	GLOVEBOX ASSEMBLY-FACIA-RHD	1	From (V) XC 105569	
	606947	• Latch-glovebox	1		
10	609130	GLOVEBOX ASSEMBLY-FACIA-LHD	1		
	606947	• Latch-glovebox	1		
	606948	Striker-glovebox	1		
	8091	Screw-striker to facia-No 8 x 1/2	1		
		COWL-INSTRUMENT PACK			
11	607917	Black-RHD	1	To (V) WC 102766	} From (V) WC 102767
11	608270	Walnut-RHD	1		
11	609691	Black-RHD	1		
11	609693	Walnut-RHD	1		
11	809135	Black-LHD	1		
11	609137	Walnut-LHD	1		



London Taxis International Taxi TX1 Range

C03

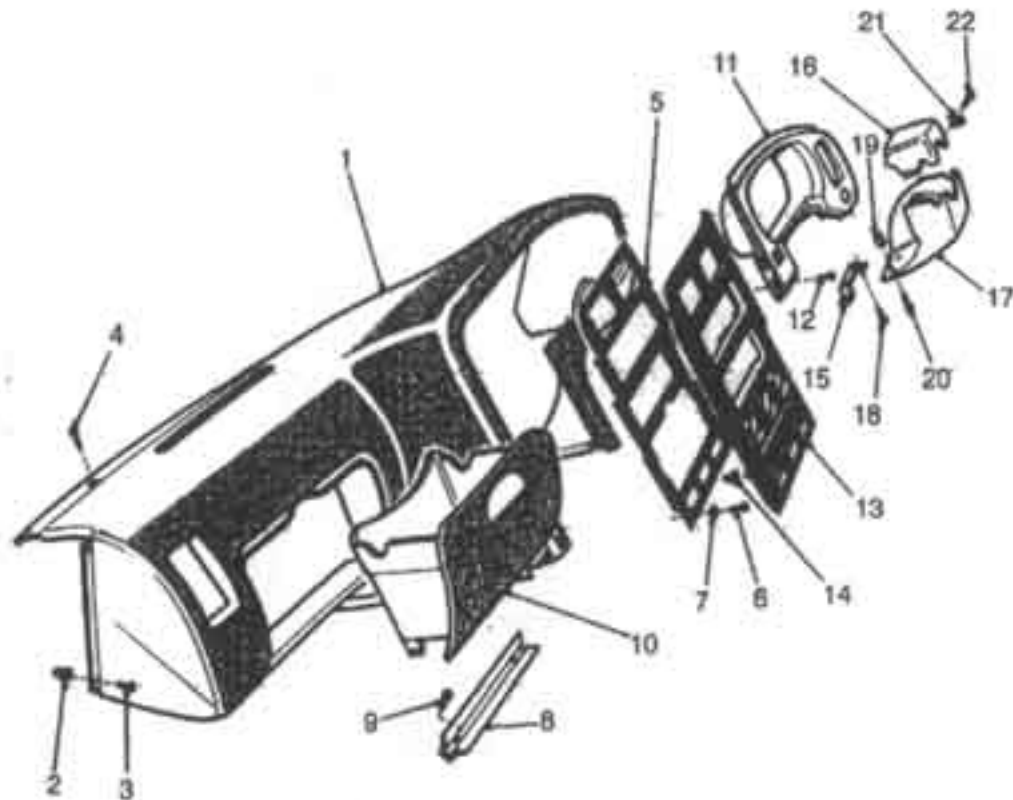
Fiche 2

Fascia, Trim & Seats

Facia assembly

Facia Panel

Illus	Part Number	Description	Quantity	Change Point	Remarks
12	8091	Screw-instrument surround to facia-No 8 x 1/2 2 SURROUND BINNACLE-SWITCH	2		
13	607938	Black-RHD.....	1	} To (V) WC 102766 } From (V) WC 102767 } From (V) XC 105297 LHD	
13	608271	Walnut-RHD.....	1		
13	609695	Black-RHD.....	1		
13	609697	Walnut-RHD.....	1		
13	609140	Black-LHD.....	1		
13	609142	Walnut-LHD.....	1		
14	9595	Clip-snap-sack.....	3		
	S512PANSS	Screw-switch housing-M5 x 12-stainless steel.....	2		
15	606986	Bracket-multi switch to lower cowl.....	1		
16	606786	Cover-steering column-upper-RHD.....	1	Note (1)	
16	610579	Cover-steering column-upper-RHD.....	1	Note (2)	
17	606787	Cover-steering column-lower-RHD.....	1	Note (1)	RHD
17	610580	Cover-steering column-lower-RHD.....	1	Note (2)	
16	609144	Cover-steering column-upper-LHD.....	1		
17	609145	Cowl-multiswitch-lower-LHD.....	1		
18	8095SS	Screw-facia to plenum-No 10 x 3/4-stainless steel.....	2		
19	607075	Nut-plastic-cowl to bracket.....	2		
20	8182SS	Screw-cowl to bracket-No 8 x 3/4-stainless steel.....	4		
21	608083	Nut-spring-u type-cowl fixing-No 8.....	2		
22	8091	Screw-cowl fixing-No 8 x 1/2.....	2		



LT1243A

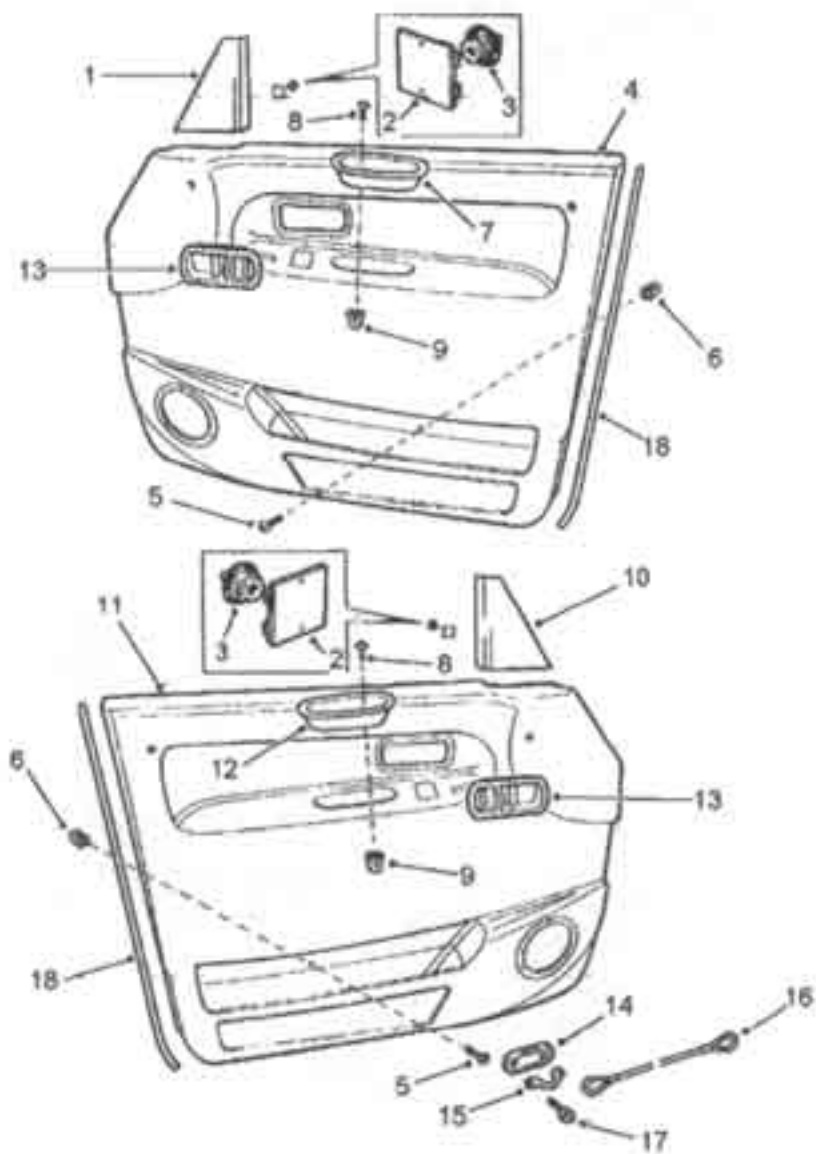
CHANGE POINTS:

- (1) To (V) XC 107712
- (2) From (V) XC 107713

London Taxis International Taxi TX1 Range

C04
Fiche 2

Fascia, Trim & Seats
Interior Trim and Fittings
Front Door Finishing



Illus. Part Number

Description

Quantity

Change Point

Remarks

1	608416	RH DOOR FINISHING			
2	606942	PANEL ASSEMBLY-CHEATER-RH.....	1		
3	607059	• Retainer.....	2		
4	607138	• Fastener-drive-single.....	2		
4	610447	CASING ASSEMBLY-FRONT DOOR-RH-RHD.....	1	To (V) XC 105568	
2	606942	CASING ASSEMBLY-FRONT DOOR-RH-RHD.....	1	From (V) XC 105569	
2	606942	• Retainer.....	7		
3	608712	• Fastener-drive-2 piece.....	7		
5	8258	Screw-casing to door panel.....	3		
6	607075	Nut-plastic-door casing.....	3		
7	606736	Moulding-finger pull-RH.....	1		
8	8182SS	Screw-finger-pull-No 8 x 3/4-stainless steel.....	1		
9	9609	Nut-lokut-finger-pull.....	1		
10	608415	LH DOOR FINISHING			
2	606942	PANEL ASSEMBLY-CHEATER-LH.....	2		
3	607059	• Retainer.....	2		
3	607059	• Fastener-drive-single.....	2		
11	607137	CASING ASSEMBLY-FRONT DOOR-LH-RHD.....	1	To (V) XC 105568	
11	610445	CASING ASSEMBLY-FRONT DOOR-LH-RHD.....	1	From (V) XC 105569	
11	609165	CASING ASSEMBLY-FRONT DOOR-LH-LHD.....	1		
2	606942	• Retainer.....	7		
3	608712	• Fastener-drive-2 piece.....	7		
3	607059	• Fastener-drive-single.....	7		
5	8258	Screw.....	3		
6	607075	Nut-plastic.....	3		
12	606735	Moulding-finger pull-LH.....	1		
8	8182SS	Screw-No 8 x 3/4-stainless steel.....	1		
9	9609	Nut-lokut-finger-pull.....	1		
13	608577	DOOR PULL			
14	601876	Escutcheon-door release.....	2		
15	608526	Escutcheon-bracket-door pull cable.....	1		
16	608525	Bracket-cable door pull.....	2		
17	S520RSD	Cable-pull door.....	1		
18	607901	Setscrew-M5 x 20.....	4		
		Seal.....	1		

..... Part of 607137, 610445.
..... Part of 609165.

London Taxis International Taxi TX1 Range

C05

Fiche 2

Fascia, Trim & Seats
Interior Trim and Fittings
Rear Door Finishing

Illus Part Number

- 1 609829
- 2 609630
- 1 610216
- 2 610217
- 13 606942
- 14 608712
- 3 608498
- 4 8182SS

- 5 607075
- 6 900117
- 6 606739
- 7 8256
- 8 606577
- 9 JHM1867
- 10 JHM1958
- 11 JHM1961
- 12 900656
- 15 607901
- 17 8250SS
- 5 607075

Description

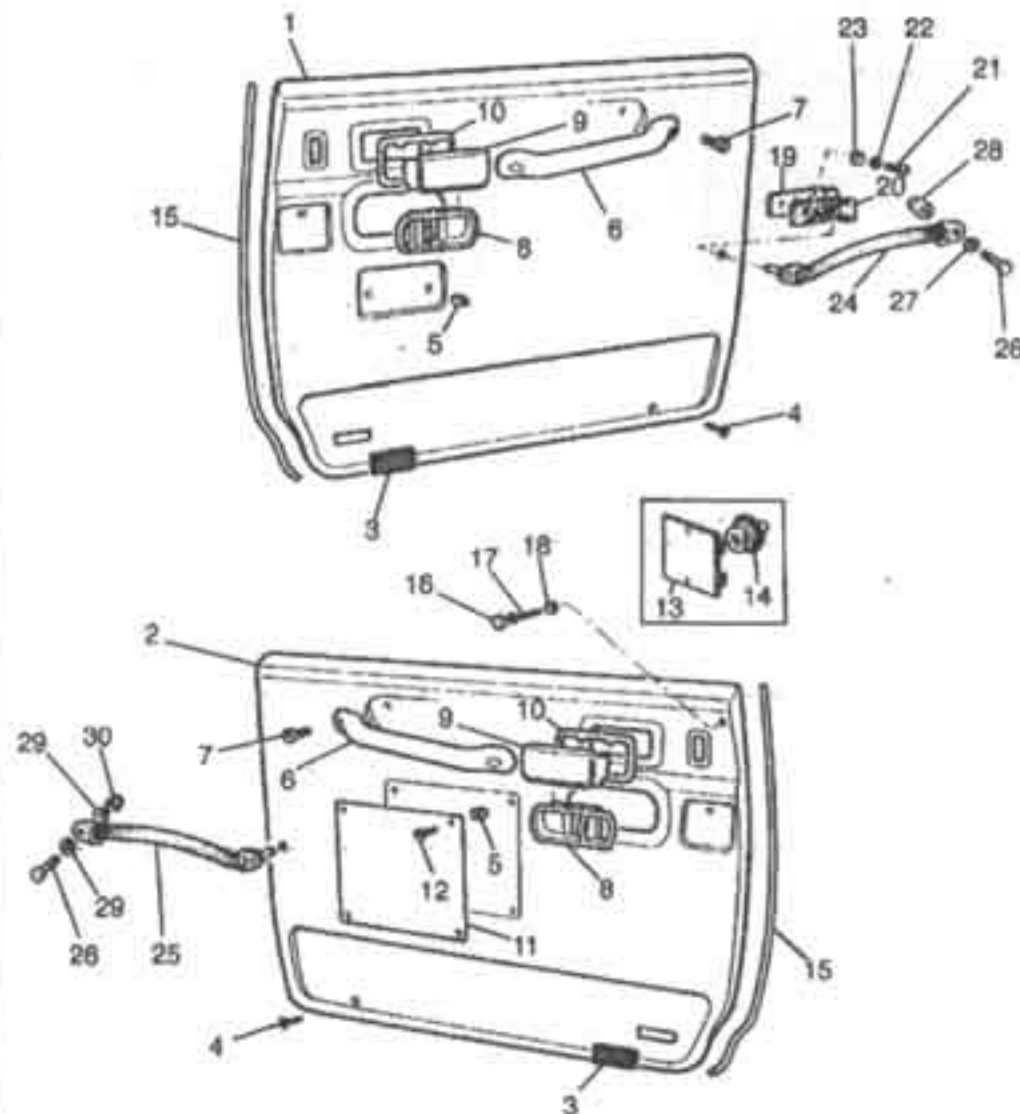
- CASING ASSEMBLY-REAR DOOR-LH..... 1
- CASING ASSEMBLY-REAR DOOR-RH..... 1
- CASING ASSEMBLY-REAR DOOR-LH..... 1
- CASING ASSEMBLY-REAR DOOR-RH..... 1
- Retainer..... 8
- Fastener-drive-2 piece..... 8
- Reflector-rear door casing..... 2
- Screw-casing to door panel-No 8 x 3/4-stainless steel..... 4
- Nut-plastic..... 4
- Nutsert-blind-No 6..... 6
- Handle-grab..... 2
- Setscrew-grab handle fixing-M8 x 30..... 4
- Escutcheon-door release..... 2
- Ashtray-door..... 2
- Clip-ashtray fixing..... 2
- Table-fare..... 1
- Screw-fare table-No 4 x 1/2-stainless steel..... 4
- Seal..... A/R
- Screw-No 8 x 1 1/4-stainless steel..... 2
- Nut-plastic..... 2

Quantity

Change Point

Remarks

To (V) XC 104639
From (V) XC 104640



London Taxis International Taxi TX1 Range

C06

Fiche 2

Fascia, Trim & Seats
Interior Trim and Fittings
Rear Door Restraint

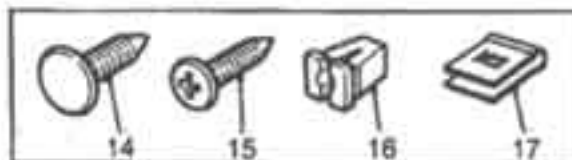
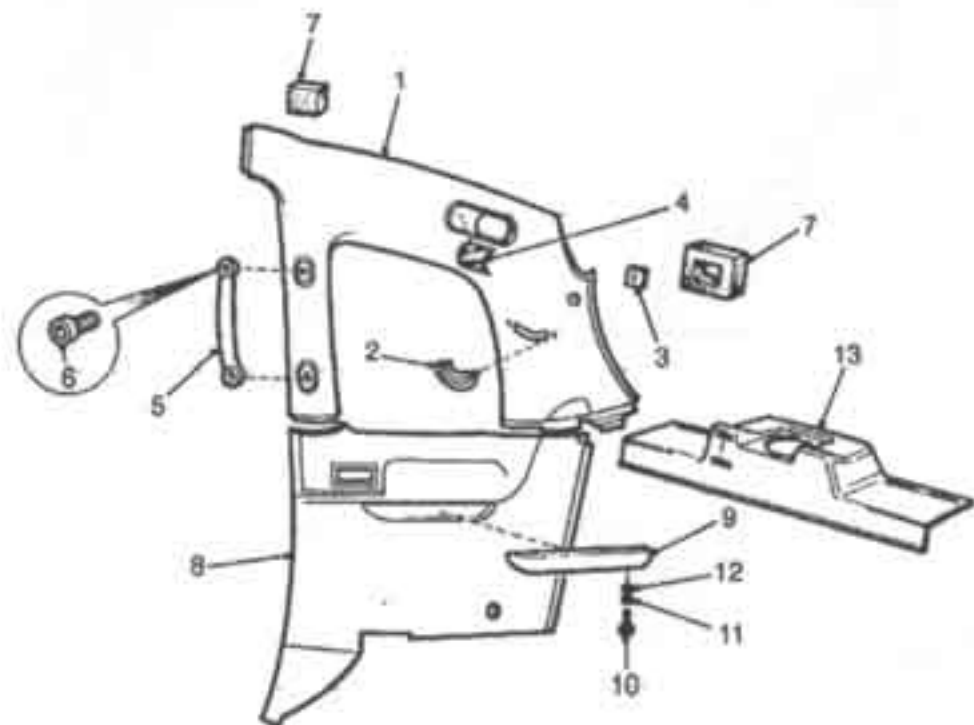
Illus	Part Number	Description	Quantity	Change Point	Remarks
1	900410	KIT-RESTRAINTS DOOR REAR.....	1		
2	609477	• STRAP ASSEMBLY-RETAINING-REAR DOOR-....	1		
		LH.....			
2	609478	• STRAP ASSEMBLY-RETAINING-REAR DOOR-....	1		
		RH.....			
3	609992	• • Washer-rubber	1		
4	609422	• Plate retaining-checkstrap-rear door	2		
5	609424	• Retainer-tube plate.....	2		
6	S620PAN	• Screw-M6 x 20.....	4		
7	WPN6L	• Washer-plain-M6	4		
8	WS6H	• Washer-spring-M6.....	4		
9	B1060HEX	• Bolt-M10 x 60.....	2		
10	WS10H	• Washer-spring-M10.....	1		
11	609447	• Bush	1		
12	600877	• Escutcheon-rear seat belt	1		
13	NL10	• Nut-hexagonal-nyloc-M10	1		
14	9593	• Fastener-1/2 tree-Dark Grey	9		
15	608712	• Fastener-drive-2 piece.....	16		
16	WPN10H	• Washer-plain	2		
17	609499	• Check strap arm-rear door	2	Note (1)	
17	610145	Check strap arm-rear door.....	NLA	Note (2)	Use 610343.
17	610343	Checker assembly-rear door-rear door.....	2	Note (2)	

CHANGE POINTS:
(1) To (V) XC 104639
(2) From (V) XC 104640

London Taxis International Taxi TX1 Range

C07
Fiche 2

Fascia, Trim & Seats
Interior Trim and Fittings
Rear Quarter Trim



Illus	Part Number	Description	Quantity	Change Point	Remarks
1	607131	Casing assembly-quarter trim-upper-LH	1		
1	607132	Casing assembly-quarter trim-upper-RH	1		
2	607045	Escutcheon-rear seat belt	2		
3	9588	Retainer-fixing escutcheon	2		
4	607966	Mirror-vanity	2		
5	606739	Handle-grab	2		
6	8255	Setscrew-M8 x 50	4		
7	608924	Excluder draft-rear seat belt aperture	2		
8	606761	Casing assembly-quarter trim-lower-LH	1		
8	606762	Casing assembly-quarter trim-lower-RH	1		
9	606763	Pad-armrest-LH	NLA		Use 610469.
9	610469	Pad-armrest-LH	2		
9	606764	Pad-armrest-RH	2		To (V) XC 105568
9	610470	Pad-armrest-RH	2		
10	S612PAN	Setscrew-pad fixing-M6 x 12	4		
11	WS6H	Washer-spring-M6	4		
12	WPL6H	Washer-plain-M6	4		
13	607897	Parcel shelf assembly-rear	1		
14	9594	Fastener-fir tree-Light Grey	2		
FIXINGS					
15	8182SS	Screw-No 8 x 3/4-stainless steel	A/R		
15	8091	Screw-No 8 x 1/2	A/R		
16	607075	Nut-plastic	A/R		
17	608083	Nut-spring-u type-No 8	A/R		

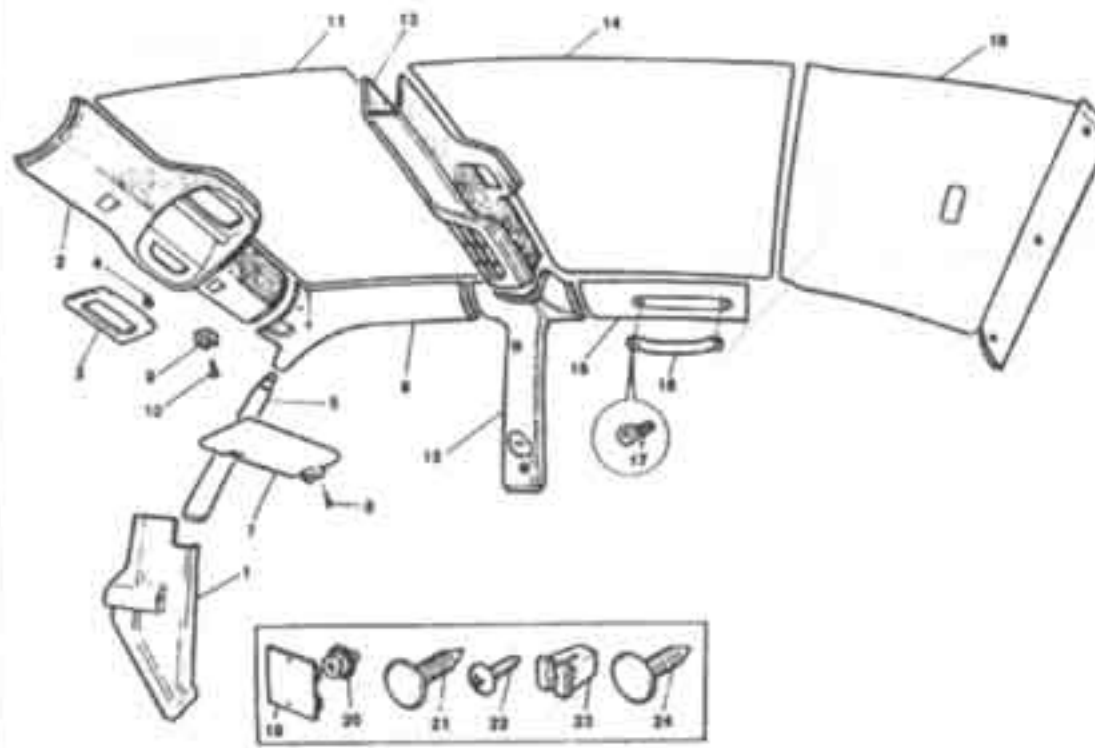
London Taxis International Taxi TX1 Range

C09

Fiche 2

Fascia, Trim & Seats
Interior Trim and Fittings
Headlining and Trim

Illus	Part Number	Description	Quantity	Change Point	Remarks
	1 606717	FINISHER-A POST LOWER-LH-RHD.....	1		
	1 606718	FINISHER-A POST LOWER-RH-RHD.....	1		
	1 609978	FINISHER-A POST LOWER-LH-LHD.....	1		
	1 609979	FINISHER-A POST LOWER-RH-LHD.....	1		
	19 606942	• Retainer.....	2		
	20 607059	• Fastener-drive-single.....	2		
		PANEL-TRIM HEADER FRONT			
	2 607976	RHD.....	1		To (V) WC 102766 From (V) WC 102767 To (V) XC 106992 From (V) XC 106993
	2 609633	RHD.....	1		
	2 610328	RHD.....	1		
	2 610376	LHD.....	1		
	21 9594	Fastener-fir tree-panel to header-Light Grey.....	4		
	22 8100	Screw-front header-No 8 x 1.....	2		
	23 607075	Nut-plastic.....	2		
	22 8250SS	Screw-roof console to hire sign-No 8 x 1 1/4- stainless steel.....	1		
	3 607979	Panel-access.-hire sign.....	1		
	4 9595	Clip-snap-sack-access panel fixing.....	2		
	5 606715	Finisher-A post upper-LH.....	1		
	5 606716	Finisher-A post upper-RH.....	1		
	21 9594	Fastener-fir tree-Light Grey.....	2		
	6 607241	FINISHER-ASSEMBLY-CANTRAIL-FRONT-LH-.....	1		
	6 607242	FINISHER-ASSEMBLY-CANTRAIL-FRONT-RH-.....	1		
	6 609079	FINISHER-ASSEMBLY-CANTRAIL-FRONT-LH-.....	1		
	6 609080	FINISHER-ASSEMBLY-CANTRAIL-FRONT-RH-.....	1		
	19 606942	• Retainer.....	1		
	24 609456	• Fastener-fir tree.....	1		
	7 606987	Sunvisor assembly-front header-LH.....	1		
	7 606988	Sunvisor assembly-front header-RH.....	1		
	8 900328	Screw.....	4		
	9 606946	Clip-sunvisor retainer.....	2		
	10 8254	Screw-sunvisor retainer-No 8 x 1.....	2		
	23 607075	Nut-plastic.....	6		
	11 607881	Headlining-roof trim front.....	1		



London Taxis International Taxi TX1 Range

C10

Fiche 2

Fascia, Trim & Seats
Interior Trim and Fittings
Headlining and Trim

Illus	Part Number	Description	Quantity	Change Point	Remarks
	12 607129	FINISHER-BC POST UPPER			
	12 606774	LH-RHD	1	} To (V) WC 102768 } From (V) WC 102767	
	12 609641	RH-RHD	1		
	12 609642	LH-RHD	1		
	12 609098	RH-RHD	1		
	12 609093	RH-LHD	1		
	12 609093	LH-LHD	1		
	22 8182SS	Screw-No 8 x 3/4-stainless steel.	4		
	23 607075	Nut-plastic	4		
	13 608038	Panel-trim header division roof-RHD	1		
	13 609087	Panel-trim header division roof-LHD	1		
	21 9594	Fastener-fir tree-Light Grey	8		
22 8182SS	Screw-No 8 x 3/4-stainless steel.	3			
23 607075	Nut-plastic	3			
14 607880	Headlining-roof trim rear-centre	1			
15 607119	Finisher-assembly-cantrail-rear-LH	1			
15 607120	Finisher-assembly-cantrail-rear-RH	1			
16 606739	Handle-grab	2			
17 8255	Setscrew-M8 x 50	4			
18 606767	Headlining assembly-roof trim rear	1			
21 9594	Fastener-fir tree-headlining-Light Grey	3			

London Taxis International Taxi TX1 Range

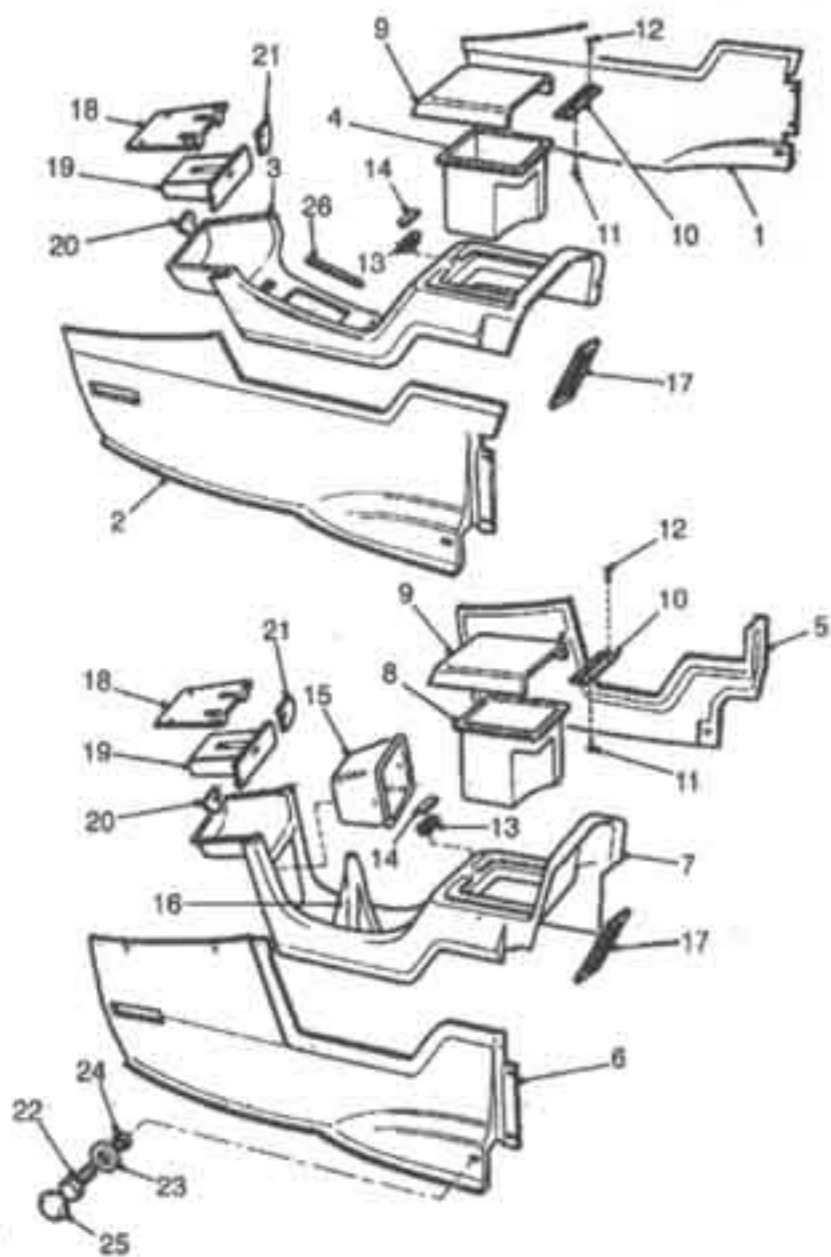
C14

Fiche 2

Fascia, Trim & Seats

Consoles

Centre Console



Illus Part Number

Description

Quantity

Change Point

Remarks

PANEL-TUNNEL CONSOLE SIDE

1	606744	RH-automatic-RHD	1	Note (1)	
2	606745	LH-automatic-RHD	1	Note (1)	
1	610463	RH-automatic-RHD	1	Note (2)	
2	610464	LH-automatic-RHD	1	Note (2)	
1	609150	Hackney Grey-RH-automatic-LHD	1		
2	609149	Hackney Grey-LH-automatic-LHD	1		

CONSOLE-TUNNEL UPPER

3	608258	automatic-RHD	1	Note (1)	
3	610459	automatic-RHD	1	Note (2)	
3	609147	automatic-LHD	1		
4	606743	Box-storage-centre console-automatic-RHD	1		
4	609151	Box-storage-centre console-automatic-LHD	1		
	8091	Screw-storage box to console-No 8 x 1/2	2		

PANEL-TUNNEL CONSOLE SIDE

5	607678	RH-manual-RHD	1	Note (1)	
5	610468	RH-manual-RHD	1	Note (2)	
5	609158	Hackney Grey-RH-manual-LHD	1		
6	607677	LH-manual-RHD	1	Note (1)	
6	610467	LH-manual-RHD	1	Note (2)	
6	609157	Hackney Grey-LH-manual-LHD	1		

Panel-tunnel console centre-manual-RHD

1 Note (1)

PANEL-TUNNEL CONSOLE CENTRE-MANUAL- ...

1 Note (2)

RHD

• Pocket-console-manual-RHD

1

PANEL-TUNNEL CONSOLE CENTRE-MANUAL- ...

1

LHD

• Pocket-console-manual-LHD

1

8 607680 Box-storage-centre console-manual-RHD

1

8 609159 Box-storage-centre console-manual-LHD

1

8091 Screw-storage box to console-No 8 x 1/2

2

9 608259 Lid-tunnel console

1

Note (1)

9 610461 Lid-tunnel console

1

Note (2)

10 607958 Hinge-lid centre console

1

11 S48PANB Setscrew-hinge to lid-M4 x 8

2

LT1242A

CHANGE POINTS:

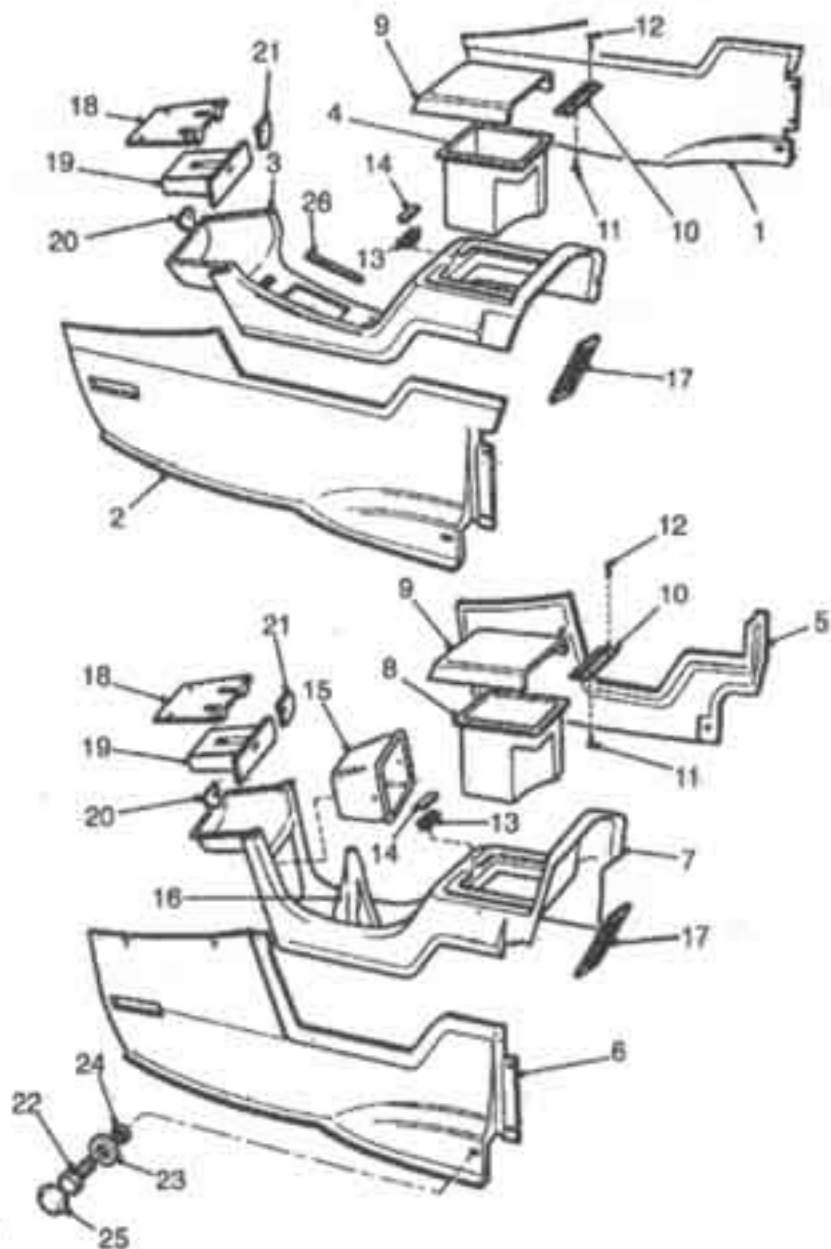
(1) To (V) XC 105568

(2) From (V) XC 105569

London Taxis International Taxi TX1 Range

C15
Fiche 2

Fascia, Trim & Seats
Consoles
Centre Console



Illus	Part Number	Description	Quantity	Change Point	Remarks
	12 S416CSKB	Setscrew-hinge to console-M4 x 16.....	2		
	13 607956	Catch-console lid.....	1		
	14 607957	Striker-stowage box.....	1		
	8100	Screw-No 8 x 1.....	2		
	16 607959	Gaiter-gear lever assembly.....	1		
	9605	Retainer-gear lever assembly gaiter.....	3		
	17 608739	Brush finisher-handbrake.....	1		
	8090	Screw-finisher to console-No 6 x 3/8.....	4		
	18 608752	Plate-mounting-ashtray-finisher to console-RHD.....	1		
	18 609162	Plate-mounting-ashtray-finisher to console-LHD.....	1		
	8091	Screw-ashtray fixing-No 8 x 1/2.....	4		
	19 606785	Ashtray assembly-tunnel console.....	1		
	9503	Nut-spring-u type-ashtray to bracket.....	2		
	8182SS	Screw-ashtray to mounting plate-No 8 x 3/4- stainless steel.....	2		
		FINISHER-ASHTRAY			
	20 608833	LH-RHD.....	1		
	21 608834	RH-RHD.....	1		
	20 609163	LH-LHD.....	1		
	21 609164	RH-LHD.....	1		
		SCREW			
	8091	console top rear to side-No 8 x 1/2.....	4		
	8250SS	console top to fascia-No 8 x 1 1/4-stainless steel.....	2		
	8182SS	console top front to side-No 8 x 3/4-stainless steel.....	3		
	8182SS	console side to division-No 8 x 3/4-stainless steel.....	2		
	8182SS	console to LH division trim-No 8 x 3/4- stainless steel.....	2		
	S516PANB	Setscrew-console to fascia-M5 x 16.....	4		
	22 609379	Setscrew-7/16UNF x 1 1/4.....	1		
	23 608491	Washer-5.0mm.....	1		
	24 608529	Spacer-5.0mm.....	1		
	25 607260	Cap-bolt-Black.....	1		
	26 608928	Spacer-automatic.....	2		

..... } Manual
..... }
..... }