

# London Taxis International Taxi TX1 Range

E02  
Fiche 1

Gearbox  
Automatic Transmission  
Transmission Assembly, Speed Sensor & Dipstick Tube

illus Part Number

- 1 605007
- 1 605007E
- 2 603287
- 3 802937
- 4 802938
- 5 802936
- 6 802935
- 7 603288
- 8 603289
- 9 603290
- 10 603311
- 11 603278
- 12 605015
- 12 609498
- 13 608918
- 13 609684
- 14 603307
- 15 603304
- 16 602696
- 17 604495
- 18 604988
- 19 S825HEX
- 20 WIT8
- 21 600759
- 22 605171

Description

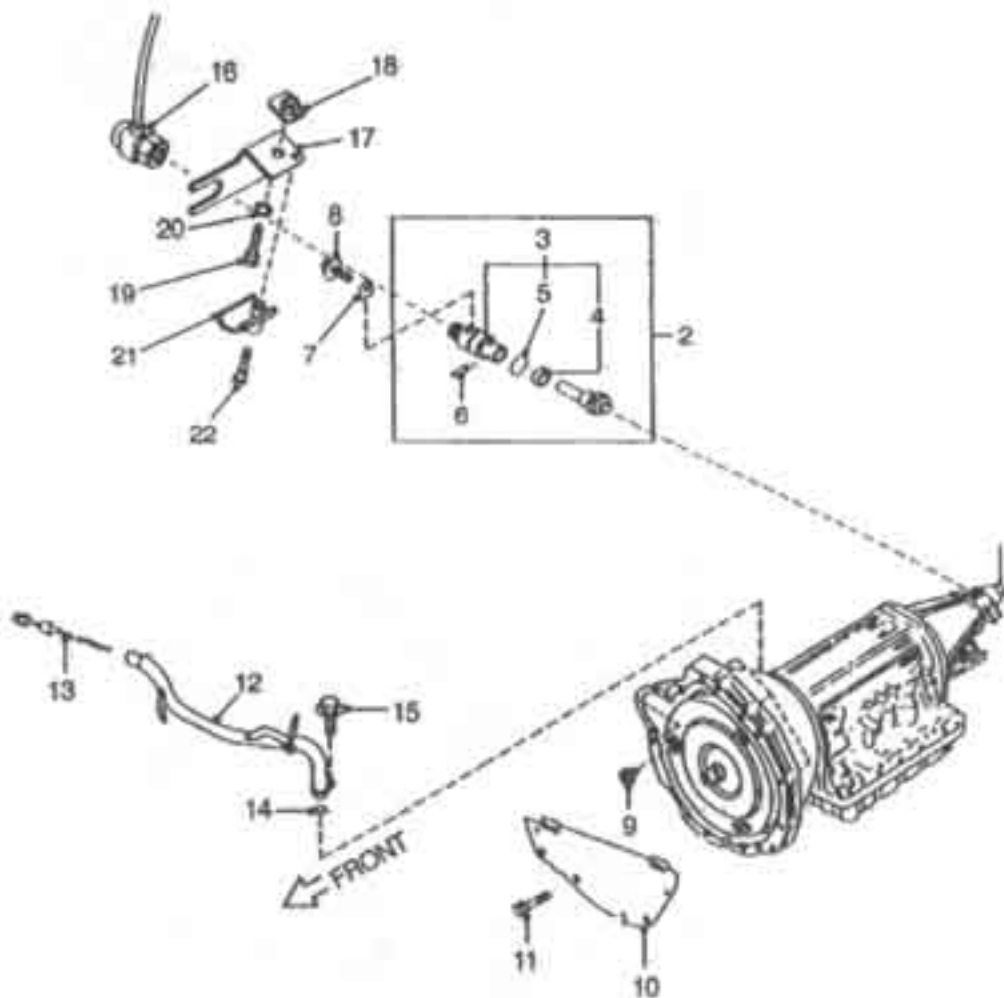
- Transmission assembly automatic -new ..... 1
- Transmission assembly automatic -exchange ..... 1
- Pinion-speedometer automatic transmission-18..... 1
- teeth..... 1
- Sleeve-speedometer drive ..... 1
- O ring..... 1
- O ring..... 1
- Pin-roll..... 1
- Plate..... 1
- Screw-flanged head-speedo lock plate..... 1
- Bolt..... 4
- Shield-dust transmission..... 1
- Screw-dust cover to bell housing..... 2
- Tube assembly-oil dipstick ..... 2
- Tube assembly-oil dipstick ..... 1
- Dipstick automatic transmission ..... 1
- Dipstick automatic transmission ..... 1
- O ring-dipstick tube..... 1
- Screw-dipstick tube to transmission case ..... 1
- Transducer speed..... 1
- Bracket-anti tamper ..... 1
- Plate-locking speed transducer ..... 1
- Setscrew-M8 x 25 ..... 1
- Washer-lock-M8..... 1
- Plate-sealing taximeter drive lock ..... 1
- Screw..... 1

Quantity

Change Point

Remarks

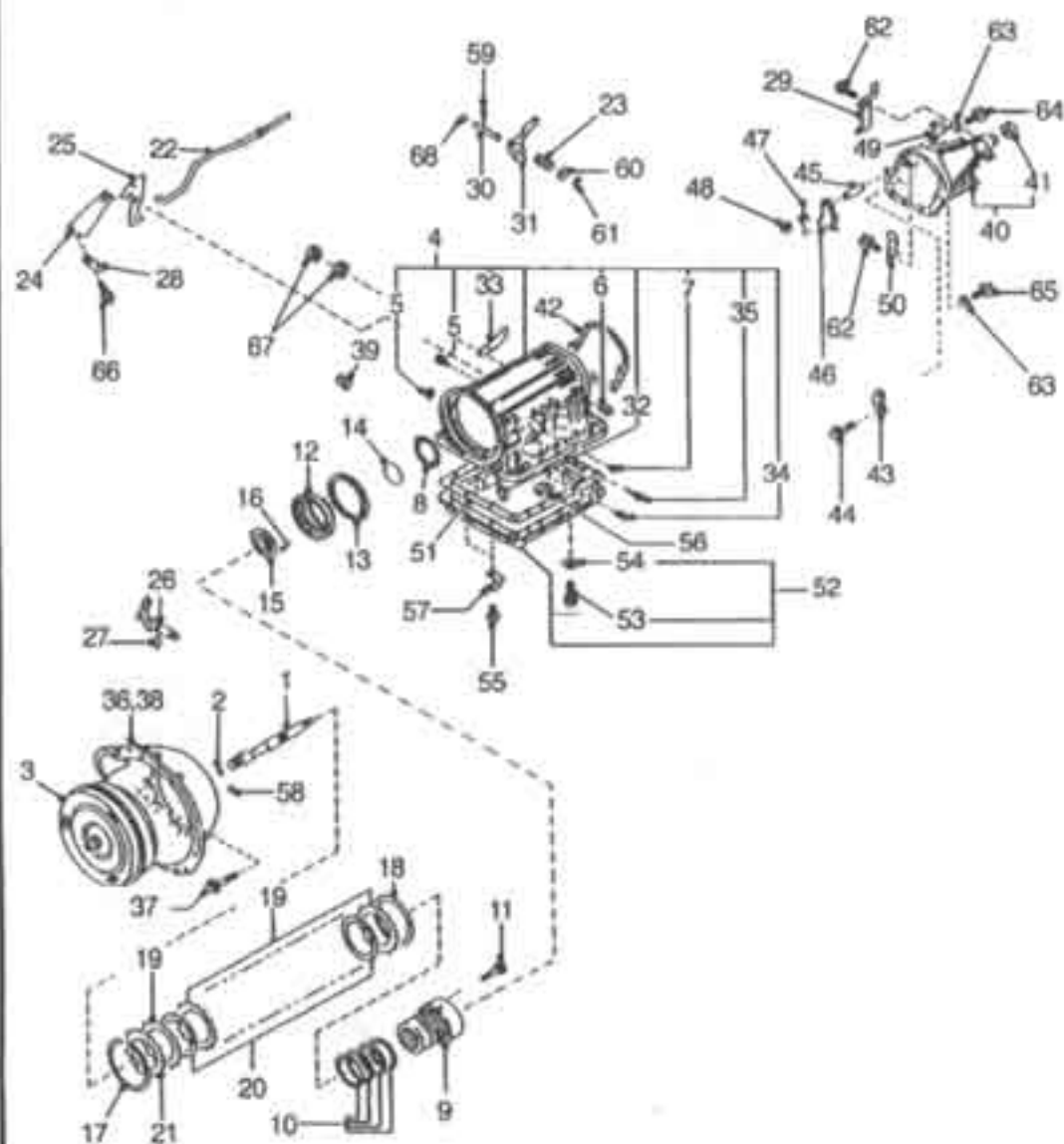
To (V) WC 102766 ..... Non EGR  
From (V) WC 102767 ..... EGR  
To (V) WC 102766 ..... Non EGR  
From (V) WC 102767 ..... EGR



# London Taxis International Taxi TX1 Range

**E04**  
Fiche 1

**Gearbox**  
Automatic Transmission  
Torque Converter, Case and Housing

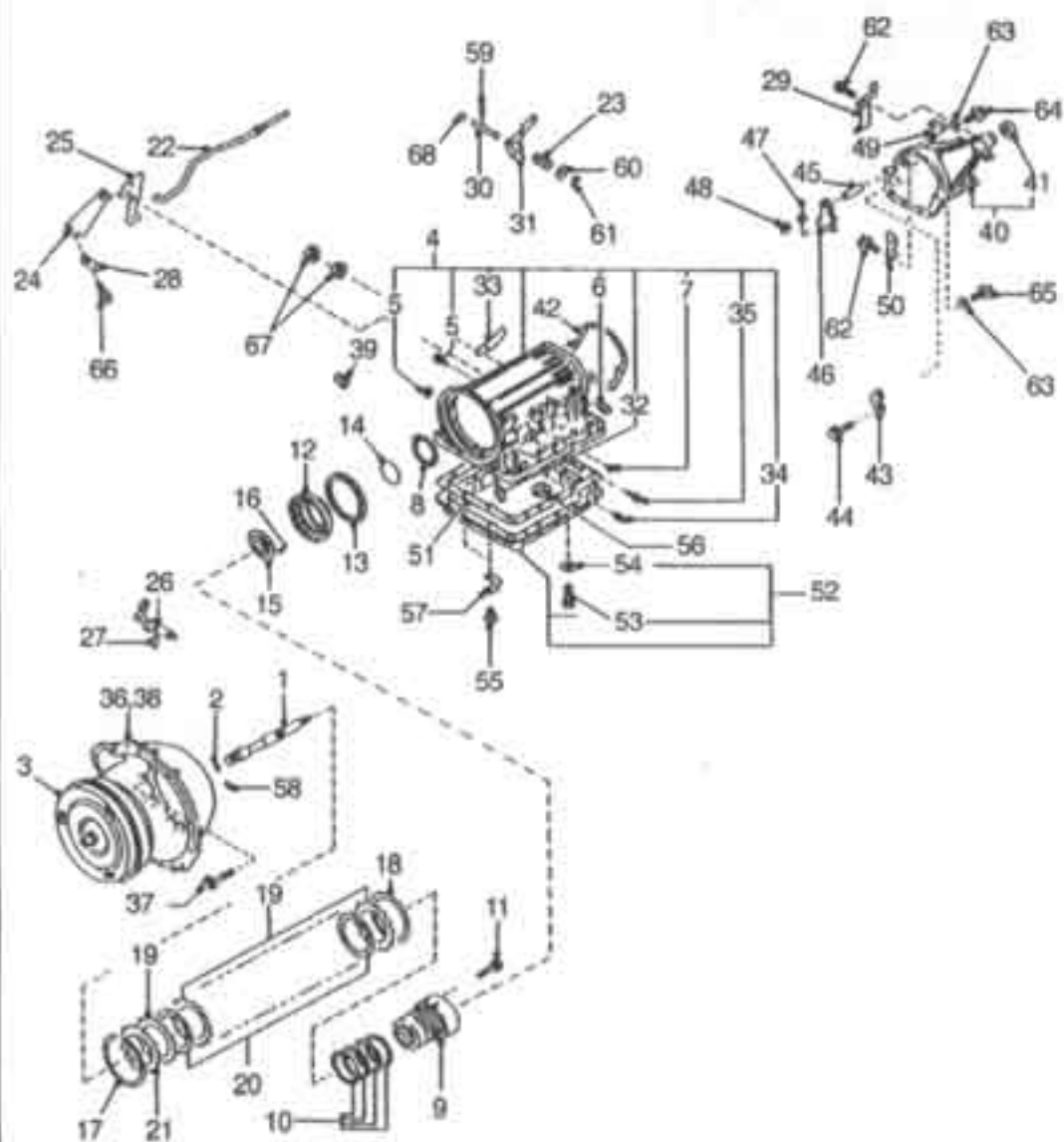


Illus	Part Number	Description	Quantity	Change Point	Remarks
1	802428	Shaft automatic transmission.....	1		
2	802429	O ring.....	1		
3	802939	Housing assembly-torque converter automatic transmission.....	1		
4	802941	CASE-TRANSMISSION AUTOMATIC.....	1		
5	802419	• Seal.....	1		
6	802412	• Plug-taper thread.....	1		
7	802410	• Plug-taper thread.....	1		
32	802408	• Pin.....	1		
33	802420	• Breather automatic transmission.....	1		
34	802409	• Plug.....	4		
35	802411	• Plug-taper thread.....	2		
8	802430	Bearing-needle-thrust automatic transmission.....	1		
9	802943	Sleeve-guide clutch.....	1		
10	802539	Ring-piston-forward shaft automatic transmission....	4		
11	802944	Bolt.....	7		
12	802945	Piston-clutch-automatic.....	1		
13	802437	Seal.....	1		
14	802642	O ring.....	1		
15	802946	Retainer.....	1		
16	802947	Spring.....	18		
17	802441	Ring-snap.....	1		
18	802450	Plate.....	1		
19	802948	Plate-automatic transmission clutch.....	9		
20	802949	Plate assembly.....	5		
21	802950	PLATE 8mm.....	1		
21	802951	8.2mm.....	1		
21	802952	8.4mm.....	1		
21	802953	8.6mm.....	1		
21	802954	7.6mm.....	1		
21	802955	7.8mm.....	1		
21	802956	6.8mm.....	1		
21	802957	7mm.....	1		
21	802958	7.2mm.....	1		
21	802959	7.4mm.....	1		
21	802960	6.4mm.....	1		
21	802961	6.6mm.....	1		
22	802460	Rod assembly-parking.....	1		
23	802962	Spring-return.....	1		
24	802458	Spring.....	1		
25	802456	Plate assembly.....	1		

# London Taxis International Taxi TX1 Range

**E05**  
Fiche 1

**Gearbox**  
Automatic Transmission  
Torque Converter, Case and Housing



illus Part Number

- 26 802454
- 27 802455
- 28 802963
- 29 802457
- 30 802964
- 31 802451
- 36 802985
- 37 802406
- 38 802966
- 39 802967
- 40 802988
- 41 802969
- 42 802970
- 43 802481
- 44 802462
- 45 802464
- 46 802467
- 47 802468
- 48 802971
- 49 802416
- 50 802415
- 51 802972
- 52 802421
- 53 802425
- 54 802426
- 55 802422
- 56 802424
- 57 802423
- 58 802435
- 59 802452
- 60 802474
- 61 802695
- 62 802468
- 63 802473
- 64 802469
- 65 802470
- 66 802471
- 67 802475
- 68 802107

Description

- Shaft-selector lever.....1
- Pin-spring.....1
- Spacer.....1
- Clip-harness.....1
- Shaft-throt valve automatic transmission.....1
- Lever-kickdown automatic transmission.....1
- Housing-torque converter automatic transmission ... 1
- Bolt.....10
- Housing-torque converter automatic transmission ... 1
- Bearing-roller.....1
- EXTENSION ASSEMBLY-AUTOMATIC.....1
- TRANSMISSION.....1
- Seal-oil-driveshaft automatic transmission.....1
- Gasket-governor/transmission.....1
- Bracket.....1
- Bolt.....2
- Shaft-park lock automatic transmission.....1
- Pawl-parklock automatic transmission.....1
- Spring-return.....1
- Spacer.....1
- Clamp.....1
- Clip-harness.....1
- Gasket-sump/transmission case automatic.....1
- transmission.....1
- Pan assembly-oil transmission case.....1
- Plug-drain.....1
- Washer-sealing.....1
- Bolt.....18
- Magnet transmission case.....1
- Bracket-pipe mounting.....2
- O ring.....1
- Pin-spring.....1
- Washer-plain.....1
- Ring-snap.....1
- Bolt.....1
- Washer-plain.....2
- Bolt.....1
- Bolt.....1
- Screw.....1
- Nut.....1
- Plug.....1

Quantity

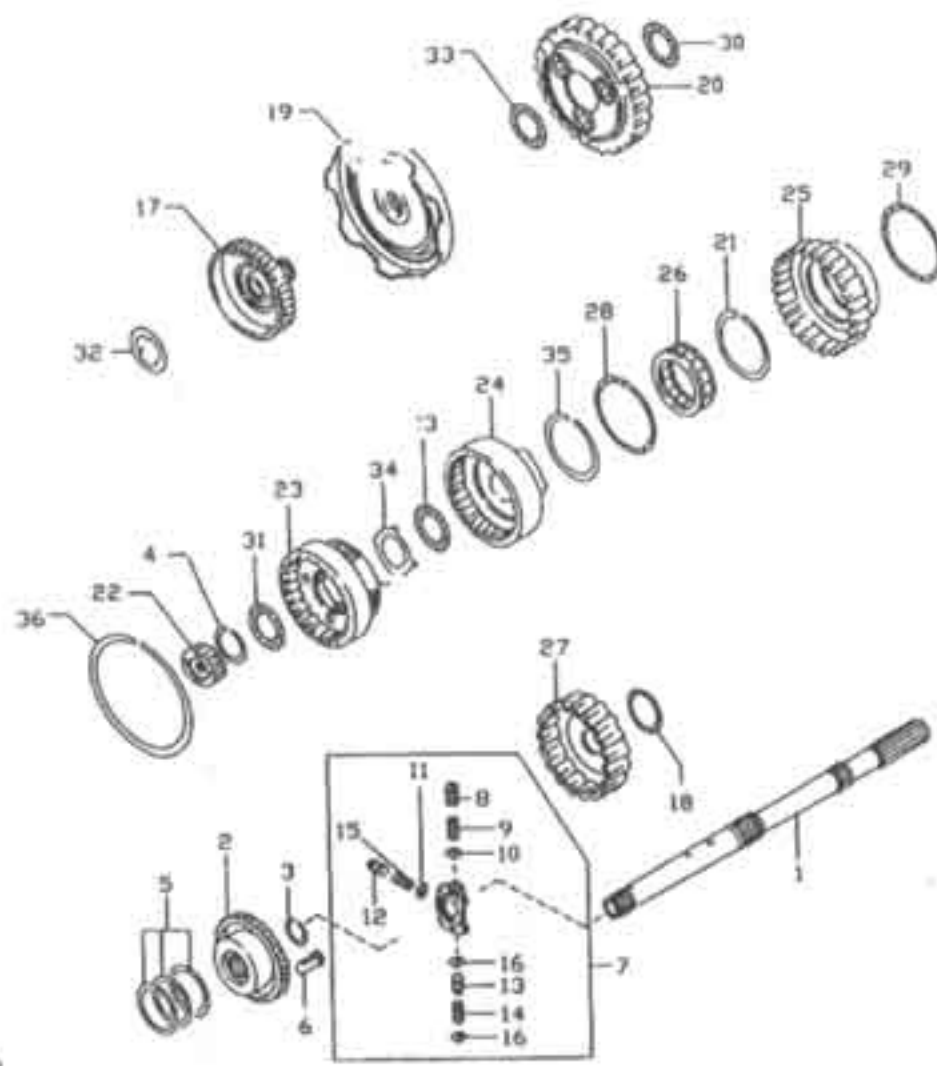
Change Point

Remarks

# London Taxis International Taxi TX1 Range

**E07**  
Fiche 1

**Gearbox**  
Automatic Transmission  
Governor and Gear Parts



Illus Part Number

- 1 802978
- 2 802525
- 3 802523
- 4 802514
- 5 802524
- 6 802538
- 7 802979
- 8 802980
- 9 802536
- 10 802533
- 11 802531
- 12 803105
- 13 802537
- 14 802983
- 15 802532
- 16 802529
- 17 802526
- 18 802984
- 18 802985
- 18 802505
- 19 802516
- 20 802986
- 21 802521
- 22 802518
- 23 802512
- 24 802515
- 25 802520
- 26 802519
- 27 802988
- 28 802513
- 29 803107
- 30 802506
- 31 802507
- 32 802511
- 33 802504
- 34 802509
- 35 802521
- 36 802990

Description

- Shaft assembly-rear output..... 1
- Gear-parking automatic transmission..... 1
- Ring-snap..... 1
- Ring-snap..... 1
- Ring-seal..... 3
- Filter-governor automatic transmission..... 1
- GOVERNOR AUTOMATIC TRANSMISSION..... 1
- Valve-automatic transmission governor cut-..... 1
- secondary..... 1
- Spring..... 1
- Plate..... 2
- Plate..... 1
- Valve-automatic transmission governor cut-..... 1
- secondary..... 1
- Valve-automatic transmission governor cut-..... 1
- secondary..... 1
- Spring..... 1
- Plate..... 1
- Valve-automatic transmission governor cut-..... 1
- primary..... 1
- Hub-clutch..... 1
- Bearing-needle-thrust automatic transmission..... 1
- Bearing-needle-thrust automatic transmission..... 1
- Bearing-needle-thrust automatic transmission..... 1
- Gear-automatic transmission sun..... 1
- Carrier-gear automatic transmission..... 1
- Ring-snap..... 2
- Gear-automatic transmission sun-rear..... 1
- Carrier assembly-planet-rear..... 1
- Gear-ring automatic transmission-rear..... 1
- Race-clutch one way..... 1
- Clutch-one way automatic transmission..... 1
- Hub-clutch..... 1
- Washer-thrust..... 1
- Washer-thrust..... 1
- Bearing-needle roller..... 1
- Bearing-needle roller..... 1
- Race-clutch one way..... 1
- Bearing-needle roller..... 2
- Washer-thrust..... 1
- Ring-snap..... 2
- Ring-snap..... 1

Quantity

Change Point

Remarks

# London Taxis International Taxi TX1 Range

E08

Fiche 1

Gearbox  
Automatic Transmission  
Clutch and Band Servos (1)

Illus Part Number

Description

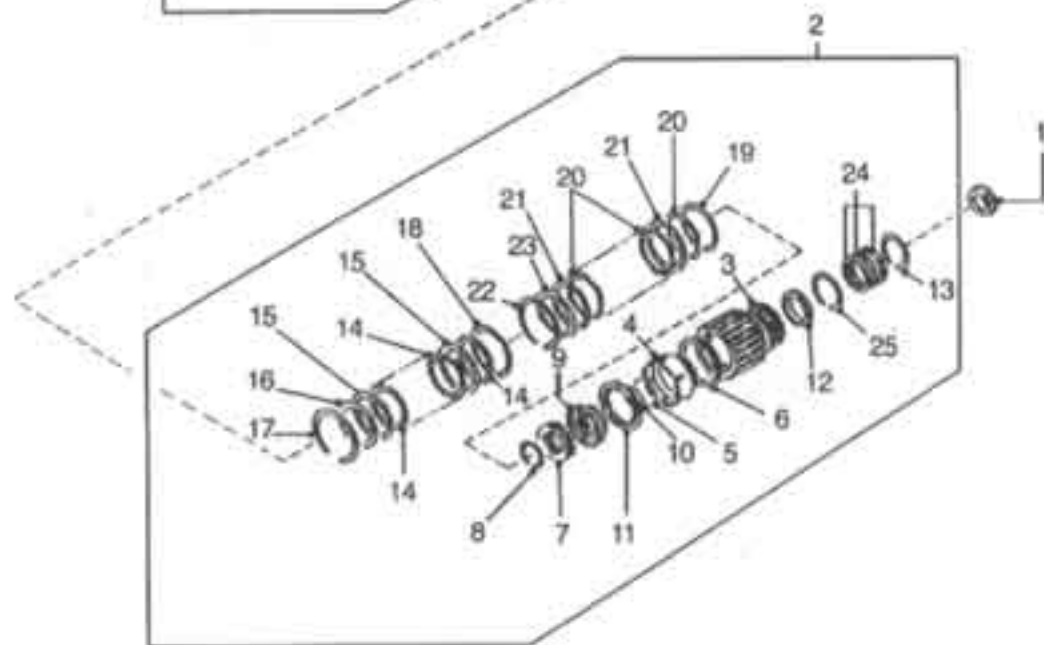
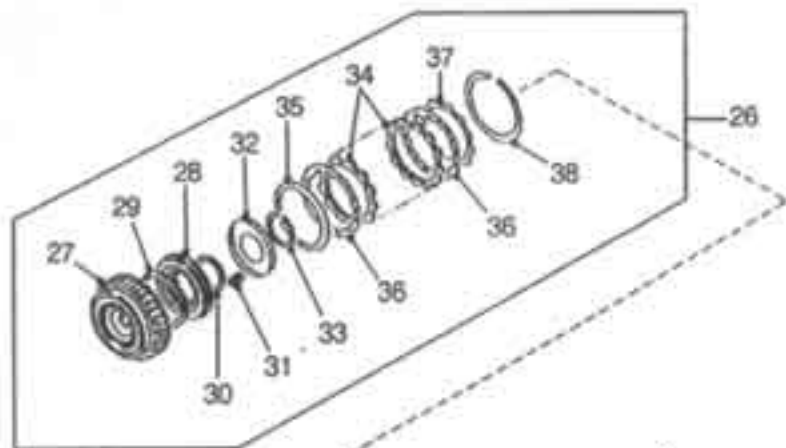
Quantity

Change Point

Remarks

- 1 802613
- 2 803024
- 3 803025
- 4 803026
- 5 802644
- 6 802642
- 7 802647
- 8 802648
- 9 802637
- 10 802437
- 11 802646
- 12 802640
- 13 802639
- 14 803011
- 15 803009
- 16 802615
- 16 802616
- 16 802617
- 16 802618
- 16 802619
- 16 802620
- 16 802621
- 17 802990
- 18 802584
- 19 802635
- 20 802634
- 21 803006
- 22 802625
- 23 802627
- 23 802628
- 23 802629
- 23 802630
- 23 802631
- 24 802636
- 25 802638

- Bearing-needle roller ..... 1
- CLUTCH-FORWARD AUTOMATIC ..... 1
- TRANSMISSION ..... 1
- Drum assembly-clutch automatic transmission ..... 1
- Piston-clutch-automatic ..... 1
- Seal ..... 1
- O ring ..... 1
- Retainer-spring forward clutch ..... 1
- Ring-snap ..... 1
- Piston-clutch-automatic ..... 1
- Seal ..... 1
- Seal ..... 1
- Bearing-needle roller ..... 1
- Ring-snap ..... 1
- Plate-clutch-driven ..... 5
- Plate-clutch-driven ..... 5
- Plate-8mm ..... 1
- Plate-8.2mm ..... 1
- Plate-8.4mm ..... 1
- Plate-8.6mm ..... 1
- Plate-8.8mm ..... 1
- Plate-9mm ..... 1
- Plate-9.2mm ..... 1
- Ring-snap ..... 1
- Bearing-needle roller ..... 1
- Plate ..... 1
- Plate-clutch-driven ..... 5
- Plate-drive automatic transmission ..... 3
- Ring-snap ..... 1
- Plate-4.20mm ..... 1
- Plate-4.40mm ..... 1
- Plate-4.60mm ..... 1
- Plate-4.80mm ..... 1
- Plate-5.0mm ..... 1
- Clutch-one way automatic transmission ..... 1
- Ring-snap ..... 1



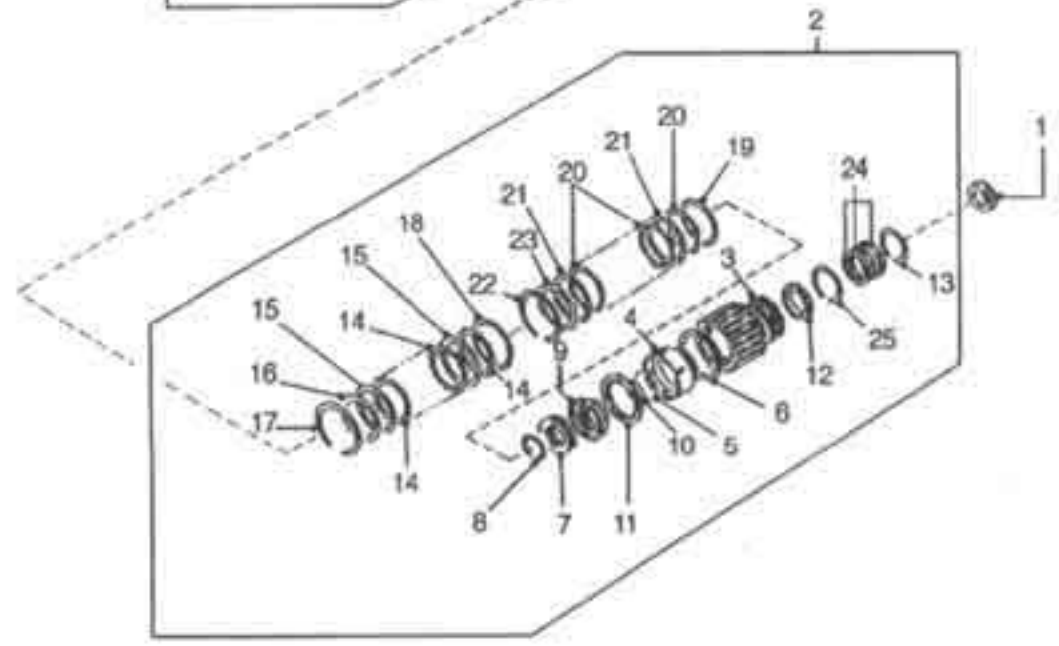
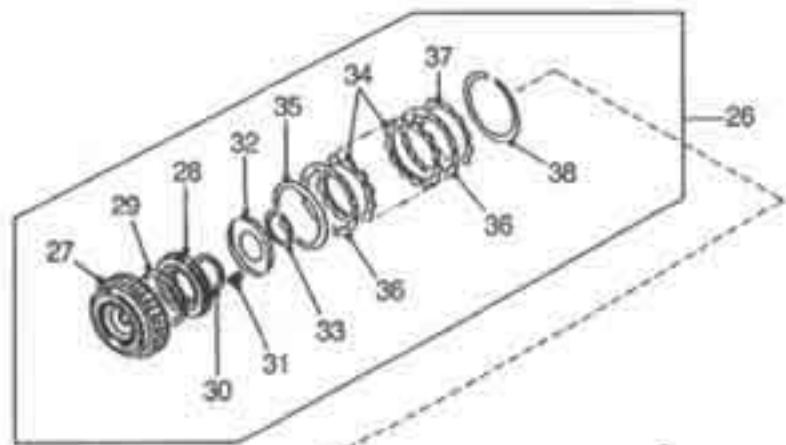


# London Taxis International Taxi TX1 Range

**E09**  
Fiche 1

**Gearbox**  
Automatic Transmission  
Clutch and Band Servos (1)

Illus	Part Number	Description	Quantity	Change Point	Remarks
	26 803019	CLUTCH ASSEMBLY-SECOND AUTOMATIC TRANSMISSION .....	1		
27	803020	• Drum assembly-clutch automatic transmission .....	1		
28	803022	• Piston-clutch-automatic .....	1		
29	802595	• Seal .....	1		
30	803023	• Seal-oil-clutch hsg .....	NLA		Use 802611.
31	802610	• Spring .....	1		
32	802597	• Retainer .....	1		
33	802609	• Ring-snap .....	1		
34	803015	• Plate-clutch-driven .....	2		
35	803013	• Plate-clutch-driven .....	1		
36	803008	• Plate assembly .....	3		
37	802601	• Plate-4.00mm .....	1		
37	802602	• Plate-4.20mm .....	1		
37	802603	• Plate-4.40mm .....	1		
37	802604	• Plate-4.60mm .....	1		
37	802605	• Plate-4.80mm .....	1		
	803108	• Plate .....	1		
38	803000	• Ring-snap .....	1		
30	802611	Seal-oil-clutch hsg .....	1		



# London Taxis International Taxi TX1 Range

E10

Fiche 1

Gearbox  
Automatic Transmission  
Clutch and Band Servos (2)

Illus Part Number

Description

Quantity

Change Point

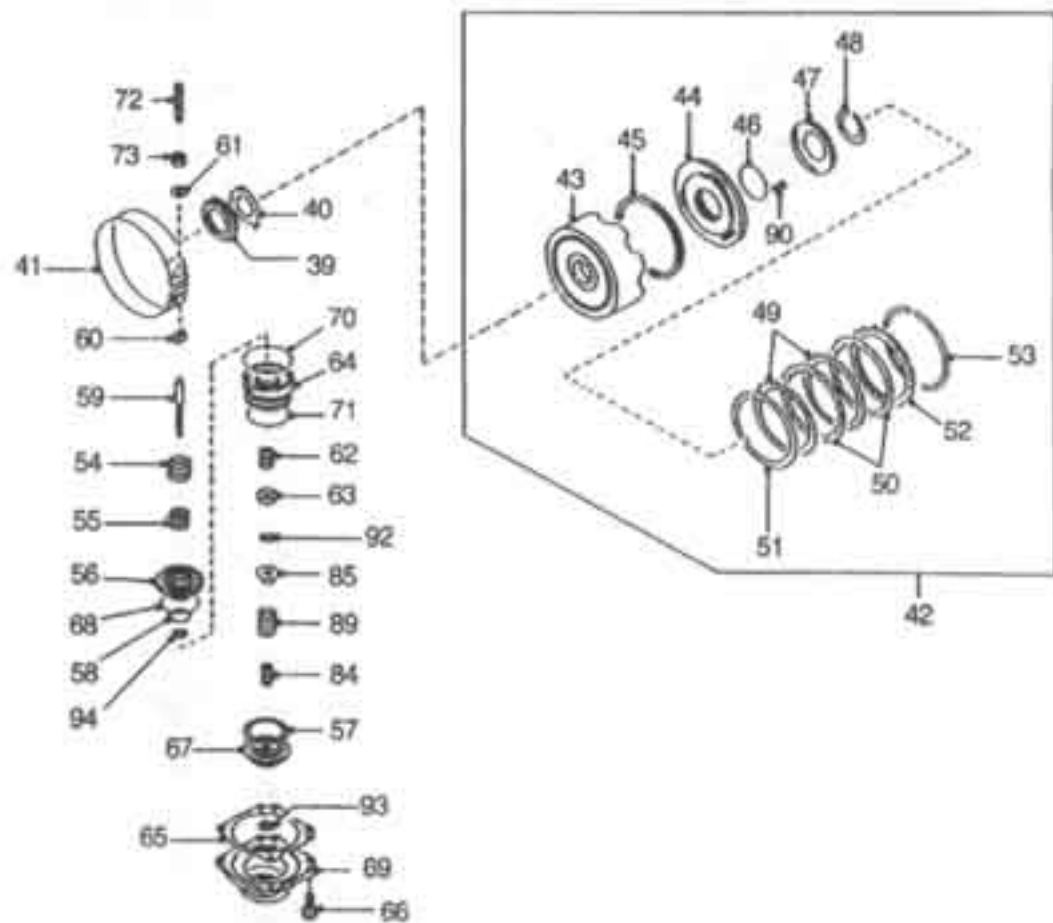
Remarks

39 802564  
40 802993  
40 802994  
40 802995  
40 802996  
40 802997  
40 802998  
40 802992  
41 803034  
42 803003

Bearing-needle roller ..... 1  
Washer-thrust-0.80mm ..... 1  
Washer-thrust-1.0mm ..... 1  
Washer-thrust-1.20mm ..... 1  
Washer-thrust-1.40mm ..... 1  
Washer-thrust-1.60mm ..... 1  
Washer-thrust-1.80mm ..... 1  
Washer-thrust-2.00mm ..... 1  
Band-brake-reverse automatic transmission ..... 1  
CLUTCH-TOP & REVERSE AUTOMATIC...! ..... 1  
TRANSMISSION

43 803004  
44 802546  
45 802547  
46 802548  
47 803005  
48 802550  
49 803012  
50 802552  
51 803010  
52 802556  
52 802557  
52 802558  
52 802559  
52 802560  
53 803002  
54 802586  
55 802585  
56 803029  
57 802574  
58 802581  
59 803031  
60 802588  
61 803032  
62 802568  
63 802569  
64 802566  
65 802577  
66 802579  
67 803038  
68 803030  
69 803037

• Drum assembly-clutch automatic transmission ..... 1  
• Piston-clutch-automatic ..... 1  
• Seal ..... 1  
• Seal ..... 1  
• Retainer ..... 1  
• Ring-snap ..... 1  
• Plate-clutch-driven ..... 1  
• Plate-drive assembly automatic transmission ..... 1  
• Plate ..... 1  
• Plate-4.80mm ..... 1  
• Plate-5.0mm ..... 1  
• Plate-5.2mm ..... 1  
• Plate-5.40mm ..... 1  
• Plate-5.8mm ..... 1  
• Ring-snap ..... 1  
Spring-return ..... 1  
Spring-return ..... 1  
Piston-clutch-automatic ..... 1  
Seal ..... 2  
Seal ..... 1  
Stud ..... 1  
Spacer ..... 1  
Washer ..... 1  
Spring-return ..... 1  
Retainer ..... 1  
Retainer ..... 1  
Gasket-brake servo ..... 1  
Bolt ..... 1  
Piston-clutch-automatic ..... 1  
Seal ..... 1  
Retainer ..... 1



# London Taxis International Taxi TX1 Range

**E11**  
Fiche 1

## Gearbox Automatic Transmission Clutch and Band Servos (2)

Illus Part Number

- 70 802565
- 71 802587
- 72 803033
- 73 802991
- 84 802573
- 85 802571
- 89 802572
- 90 802549
- 92 802570
- 93 802576
- 94 802580

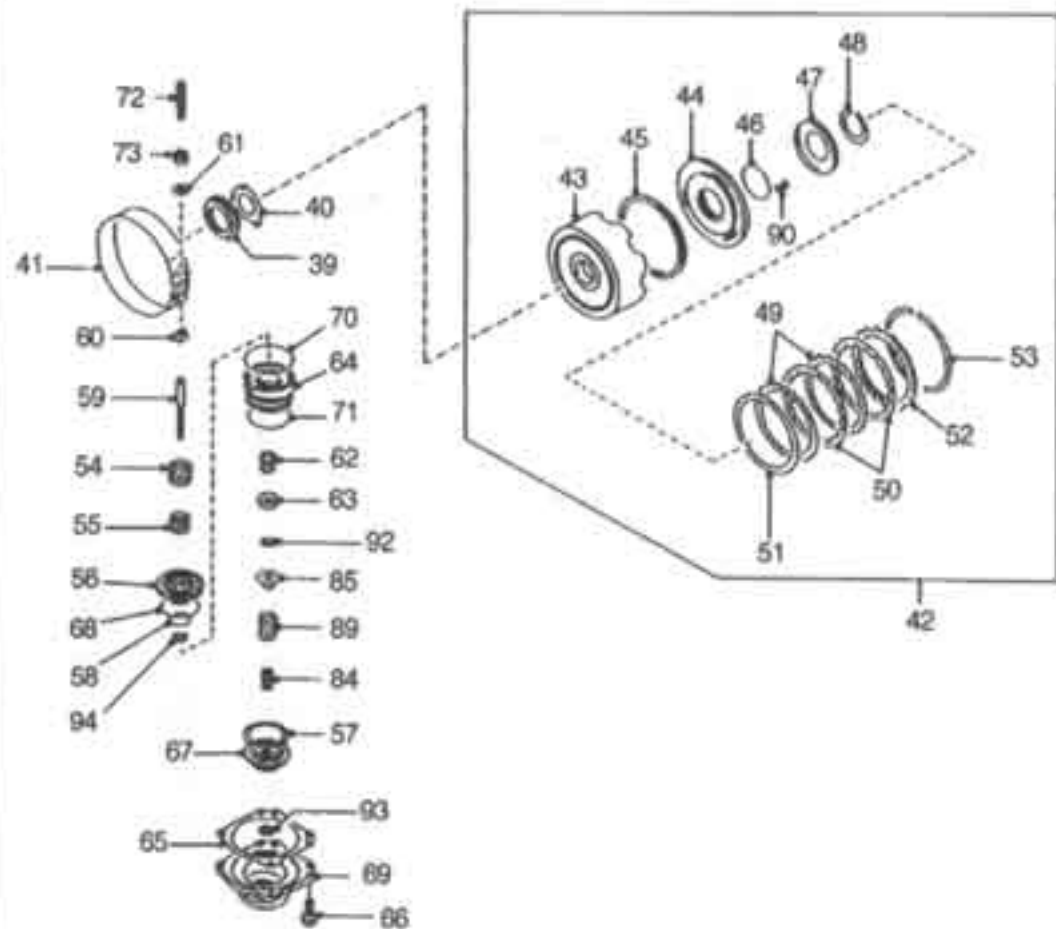
Description

- Seal.....1
- O ring.....1
- Pin.....1
- Nut.....1
- Spring.....1
- Retainer.....1
- Spring.....1
- Spring.....1
- Ring-snap.....1
- Ring-snap.....1
- Ring-snap.....1

Quantity

Change Point

Remarks



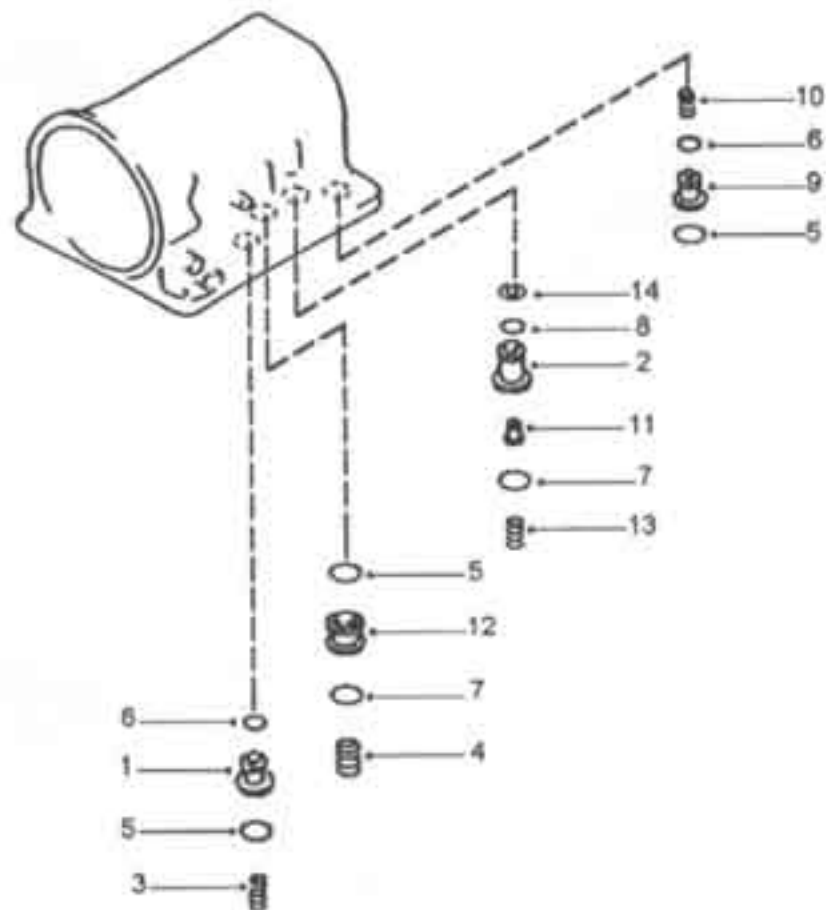


# London Taxis International Taxi TX1 Range

E12

Fiche 1

Gearbox  
Automatic Transmission  
Clutch and Band Servos (3)



Illus Part Number

- 1 802661
- 2 803035
- 3 802662
- 4 802660
- 5 802652
- 6 802650
- 7 802659
- 8 802654
- 9 802651
- 10 802649
- 11 802656
- 12 802658
- 13 803028
- 14 802653

Description

- Piston-top accumulator servo body ..... 1
- Piston-top accumulator servo body ..... 1
- Spring-accumulator ..... 1
- Spring-accumulator ..... 1
- O ring-accumulator ..... 1
- O ring-accumulator ..... 1
- O ring-accumulator ..... 1
- O ring-accumulator ..... 1
- O ring-accumulator ..... 1
- Piston-top accumulator servo body ..... 1
- Spring-accumulator ..... 1
- Retainer-accumulator ..... 1
- Piston-top accumulator servo body ..... 1
- Spring ..... 1
- Ring-snap ..... 1

Quantity

Change Point

Remarks

# London Taxis International Taxi TX1 Range

**E14**  
Fiche 1

**Gearbox**  
**Automatic Transmission**  
**Control Valve (1)**

Illus Part Number

- 50 802696
- 51 802697
- 52 802712
- 55 802720
- 61 803053
- 64 803047
- 65 803039
- 68 803049
- 68 803050
- 84 802672
- 85 802683
- 86 803061
- 87 802682
- 94 802760
- 95 802681
- 96 802750
- 97 802665
- 98 802664
- 99 802725
- 802726
- 802724
- 802695

Description

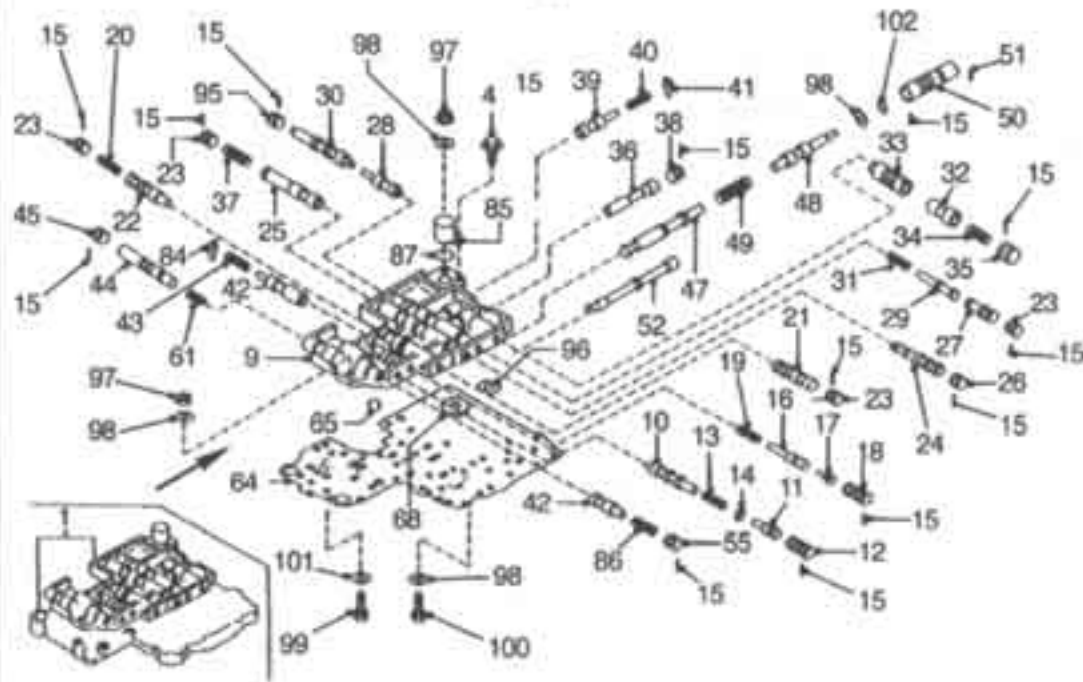
- Plug-throttle ..... 1
- Pin-retainer ..... 1
- Valve -manual ..... 1
- Plug..... 4
- Spring-timing ..... 1
- Plate-separator ..... 1
- Bearing-ball ..... 1
- Plate-side ..... 3
- Plate-side ..... 1
- Seat-return spring-pressure regulator ..... 1
- Solenoid-control valve ..... 1
- Spring ..... 1
- O ring ..... 1
- Bracket..... 1
- Plug..... 1
- Clip-harness ..... 1
- Nut ..... 2
- Washer ..... 1
- Bolt..... 1
- Bolt..... 1
- Washer ..... 1
- Ring-snap ..... 1

Quantity

Change Point

Remarks

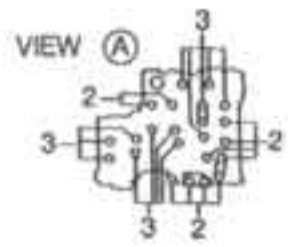
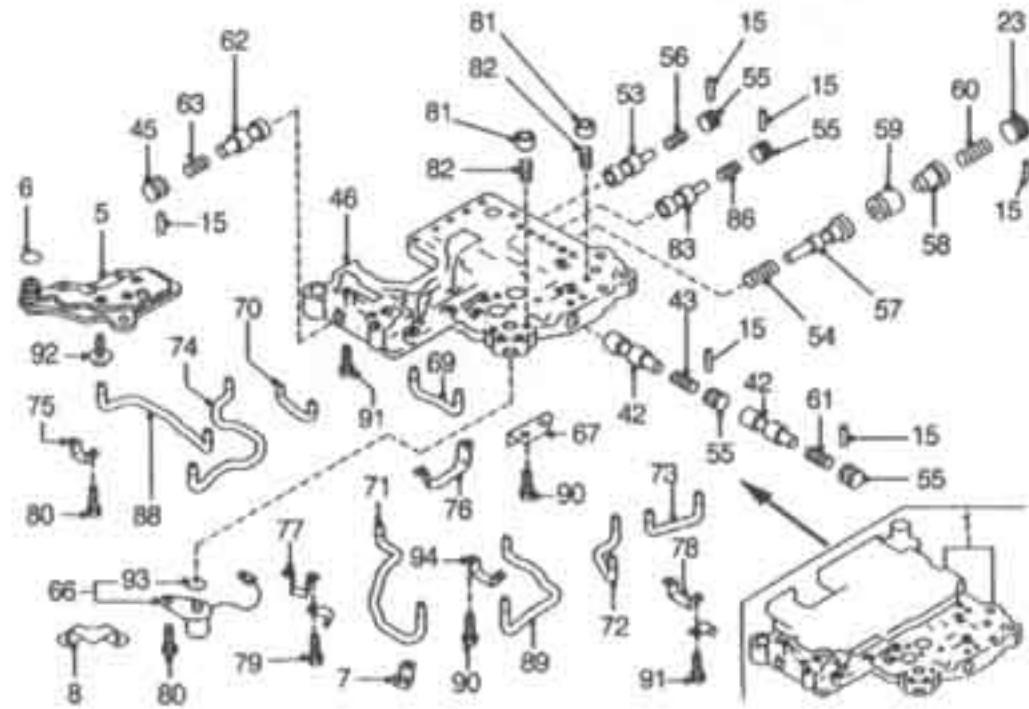
23



# London Taxis International Taxi TX1 Range

**E15**  
Fiche 1

**Gearbox**  
**Automatic Transmission**  
**Control Valve (2)**



Illus	Part Number	Description	Quantity	Change Point	Remarks
1	803043	Valve assembly automatic transmission .....	1		
2	802751	Bolt.....	1		
3	802755	Bolt.....	21		
5	803051	Strainer-oil-automatic transmission fluid automatic ..	1		
6	802773	O ring.....	1		
7	802762	Bracket-control valve .....	1		
8	802767	Bracket-control valve .....	1		
15	802666	Pin-roll-control valve .....	18		
23	802746	Plug.....	1		
42	803066	Valve .....	3		
43	802748	Spring-4th & 2nd sequent.....	2		
45	803077	Plug.....	1		
	803078	Plug.....	1		
46	803046	Valve-main body automatic transmission-lower .....	1		
53	803067	Valve.-1st reducing .....	1		
54	803055	Spring-spool valve .....	1		
55	802720	Plug.....	4		
56	803060	Spring-1st reducing .....	1		
57	803088	Valve.-overrun clutch reducing.....	1		
58	802744	Plug.....	1		
59	803069	Sleeve .....	1		
60	802745	Spring-overrun clutch reducing.....	1		
61	803053	Spring-timing .....	1		
62	802731	Valve .....	1		
63	802730	Spring-relief valve .....	1		
66	803079	Solenoid-control valve .....	1		
67	803048	Plate-accumulator .....	1		
69	802758	Pipe-automatic transmission oil feed.....	1		
70	802769	Pipe-automatic transmission oil feed.....	1		
71	802761	Pipe-automatic transmission oil feed.....	1		
72	802756	Pipe-automatic transmission oil feed.....	1		
73	802752	Pipe-automatic transmission oil feed.....	1		
74	802771	Pipe-automatic transmission oil feed.....	1		
75	802768	Bracket-control valve .....	1		
76	802759	Bracket-control valve .....	1		
77	802764	Bracket-control valve .....	1		
78	802753	Bracket-control valve .....	1		
79	803041	Bolt.....	1		
80	803040	Bolt.....	1		
81	803075	Valve.-orifice check .....	1		
82	802733	Spring-orifice check.....	1		

# London Taxis International Taxi TX1 Range

**E16**

Fiche 1

Gearbox  
Automatic Transmission  
Control Valve (2)

illus Part Number

- 83 802739
- 88 802772
- 89 802757
- 90 802751
- 91 802755
- 92 802770
- 93 803042

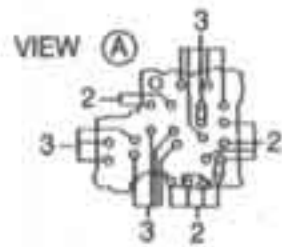
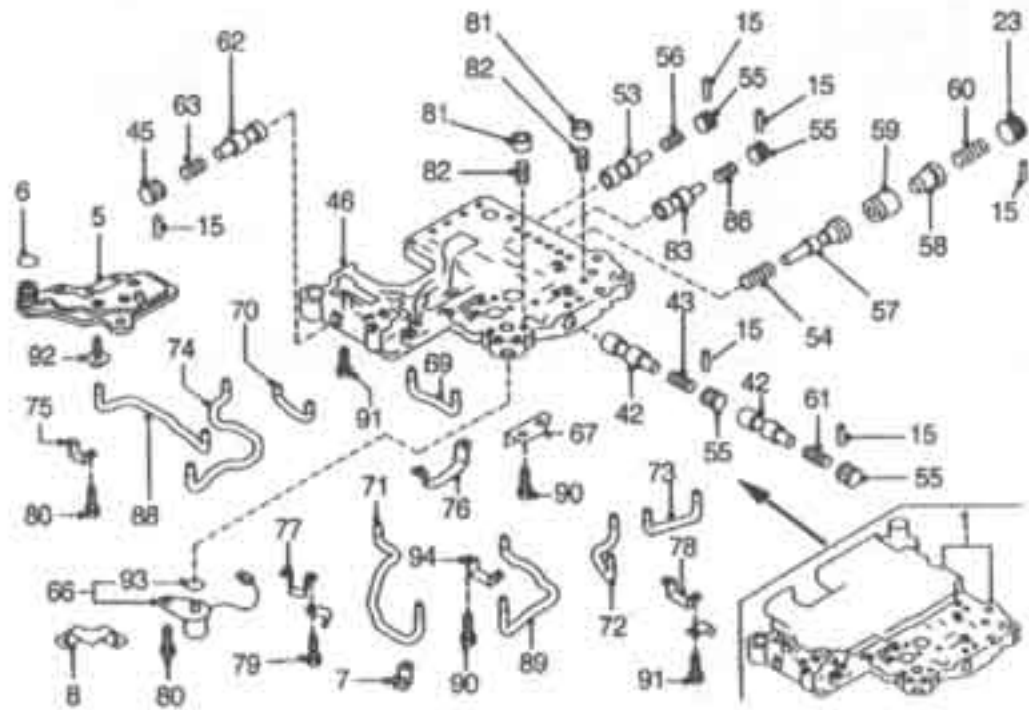
Description

- Valve.-1st reducing ..... 1
- Pipe-automatic transmission oil feed ..... 1
- Pipe-automatic transmission oil feed ..... 1
- Bolt..... 10
- Bolt..... 13
- Bolt..... 4
- O ring..... 1

Quantity

Change Point

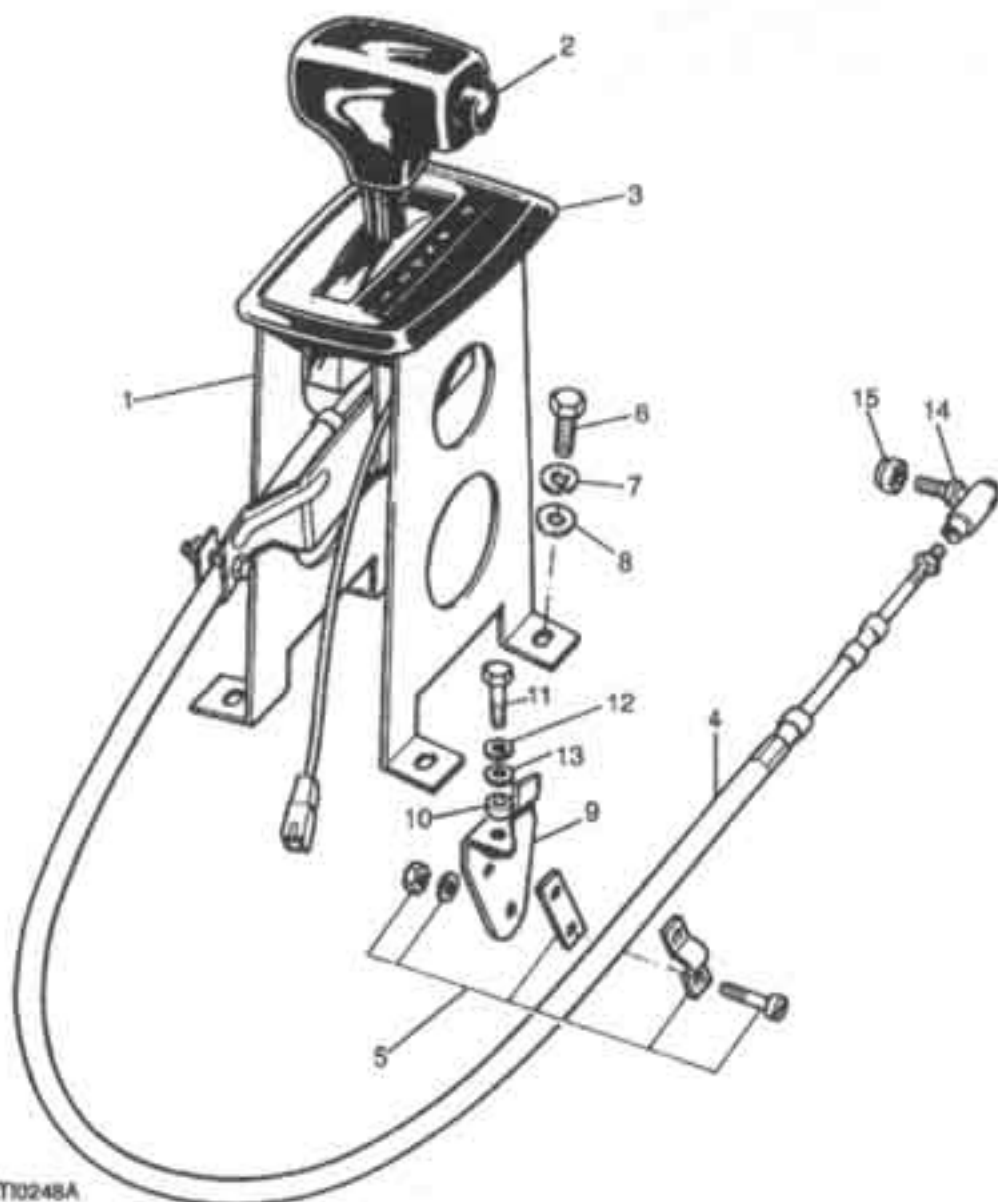
Remarks



# London Taxis International Taxi TX1 Range

E17  
Fiche 1

Gearbox  
Automatic Transmission  
Gear Selector Lever and Cables



Ilus	Part Number	Description	Quantity	Change Point	Remarks
1	607639	LEVER ASSEMBLY-OPERATING/SELECTOR .....	1		
1	609524	AUTOMATIC TRANSMISSION-RHD .....			
		LEVER ASSEMBLY-OPERATING/SELECTOR .....	1		
		AUTOMATIC TRANSMISSION-LHD .....			
2	606747	• Handle selector mechanism-RHD .....	1		Part of 607639.
3	606749	• Bezel assembly-T shift-RHD .....	1		Part of 607639.
4	900106	• Cable-selector automatic transmission.....	1		
	TLB233	• Bulb-233-t8/4-4 Watt .....	1		
5	600273	• Clamp-cable .....	1		
2	609526	• Handle selector mechanism-LHD.....	1		Part of 609524.
3	608583	• Bezel assembly-T shift-LHD .....	1		Part of 609524.
6	S616HEX	Setscrew-M6 x 16 .....	4		
7	WS6H	Washer-spring-M6 .....	4		
8	WPN6H	Washer-plain-M6 .....	4		
9	604990	Bracket assembly-abutment selector cable .....	1		
10	604516	Sleeve .....	1		
11	S830HEX	Bolt-abutment bracket-M8 x 30.....	1		
12	WS8H	Washer-spring-M8 .....	1		
13	WPN8H	Washer-plain-M8 .....	1		
14	600272	Ball Joint .....	1		
15	801768	Nut-hexagonal-nyloc-1/4UNF .....	1		

# London Taxis International Taxi TX1 Range

E18

Fiche 1

Gearbox  
Automatic Transmission  
Throttle Wire, Selector and Control Switch

illus Part Number

- 1 803082
- 2 802478
- 3 803084
- 4 803085
- 5 802777
- 6 802778
- 7 802472
- 8 603317
- 9 603314
- 10 604998

Description

- Cable-kickdown automatic transmission..... 1
- O ring..... 1
- Switch-inhibitor change selector..... 1
- CABLE-SELECTOR AUTOMATIC..... 1
- TRANSMISSION..... 1
- O ring..... 1
- Bolt..... 1
- Bolt..... 1
- Nut..... 1
- Washer-starlock..... 1
- Lever-selector selector mechanism..... 1

Quantity

Change Point

Remarks

